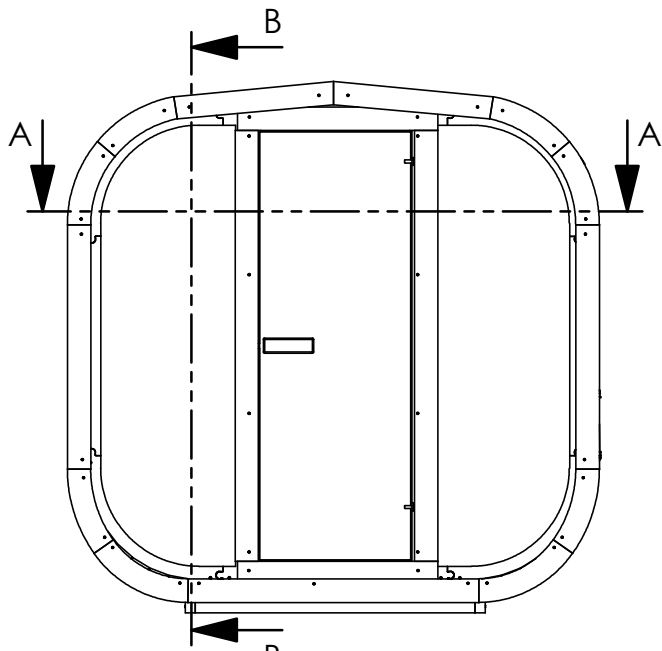


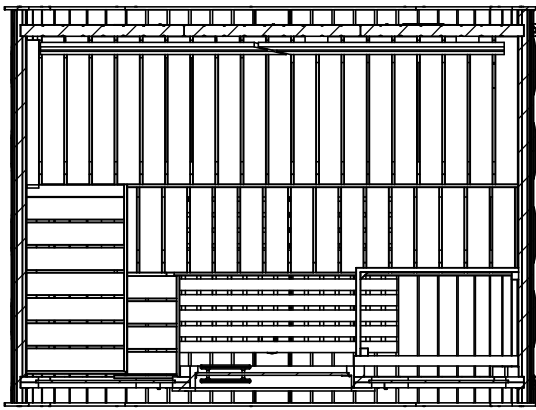
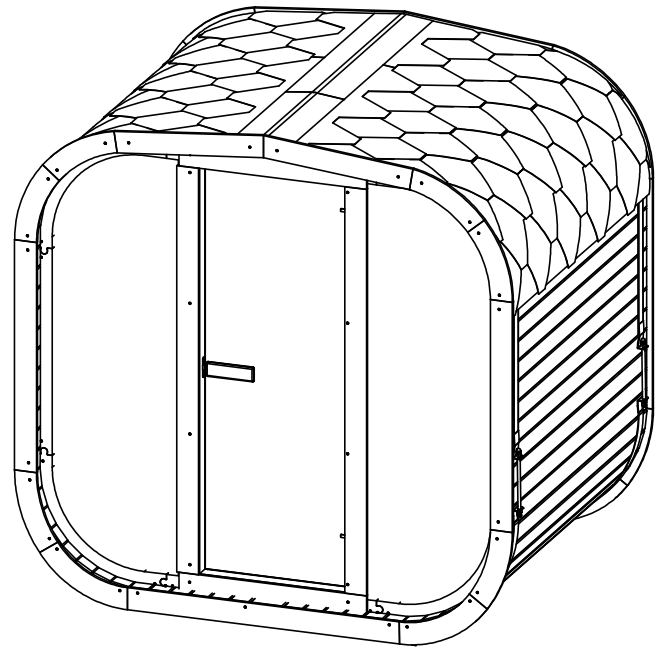
Read this instruction before assembly



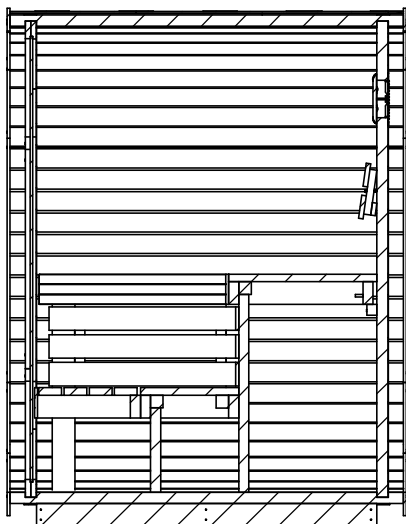
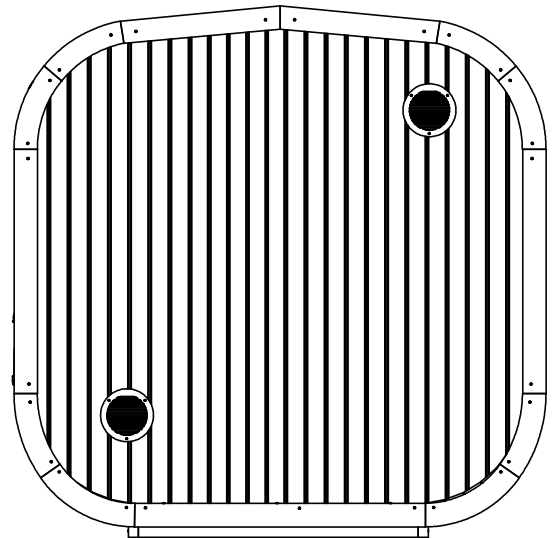
MANDE
SAUNA & HOT TUB



SECTION A-A
SCALE 1 : 30

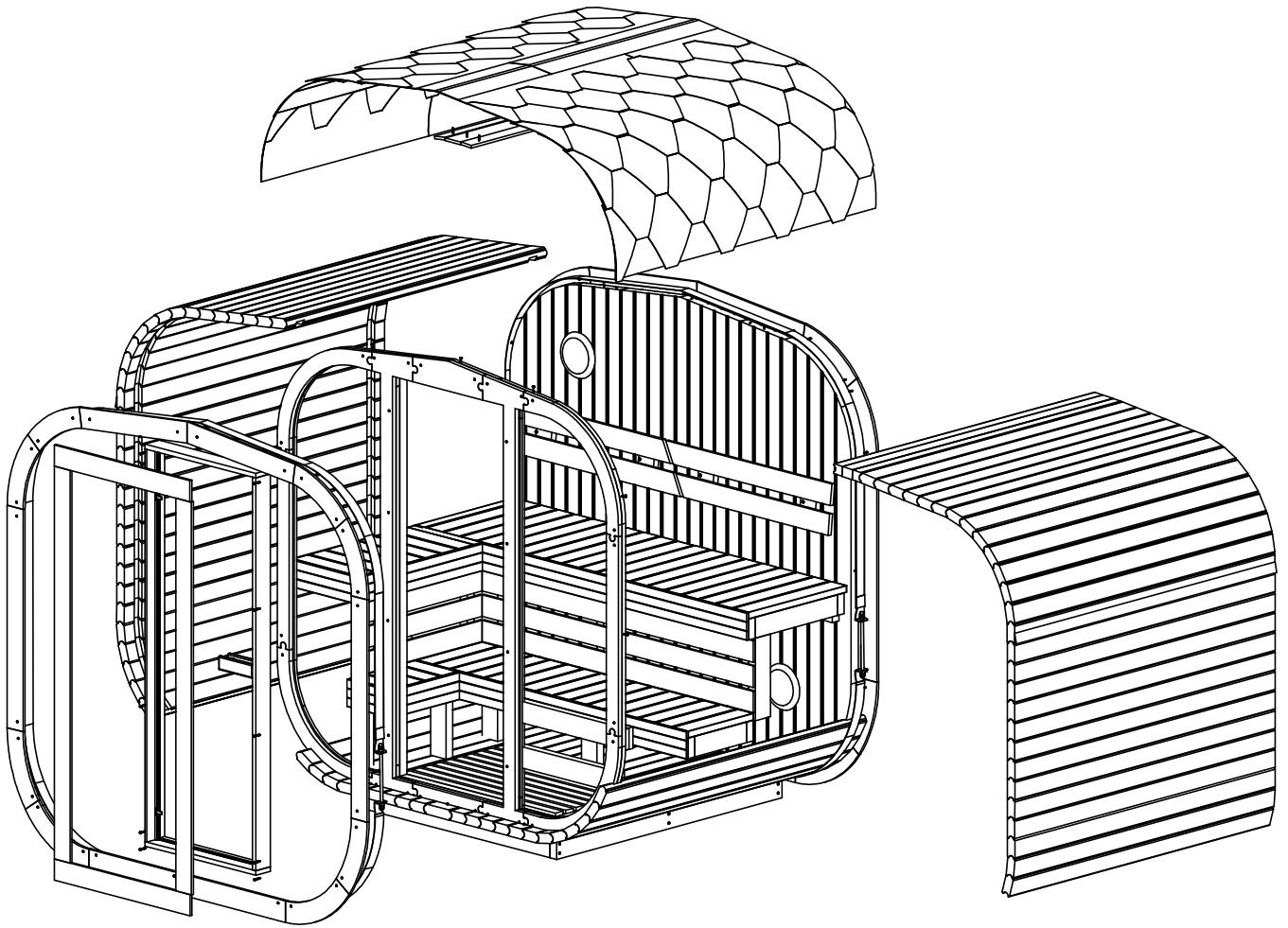


SECTION B-B
SCALE 1 : 30

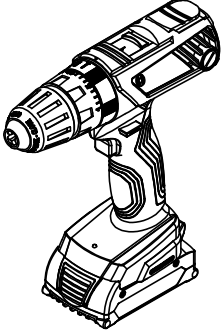

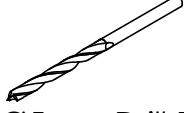
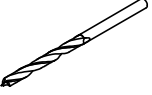
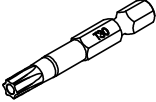
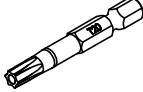
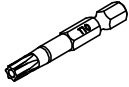
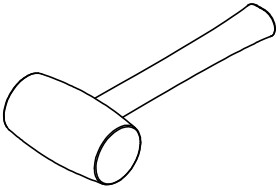
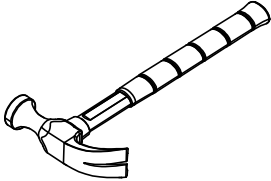
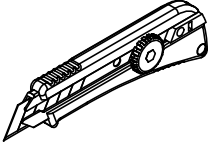
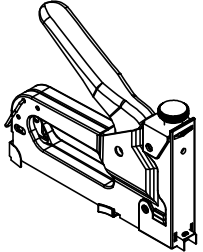
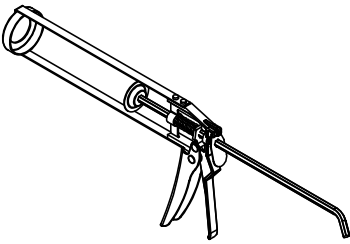


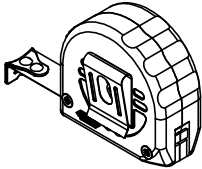
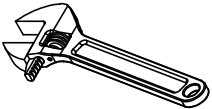
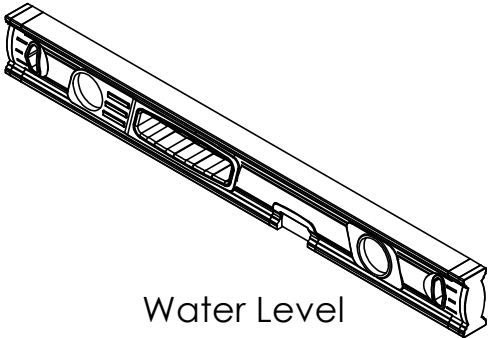




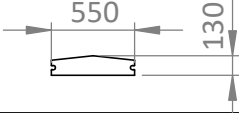


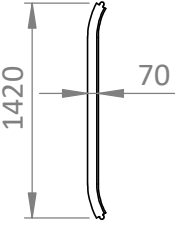
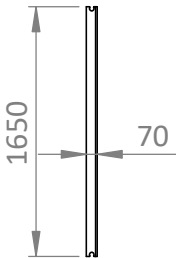
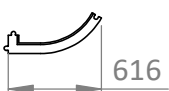

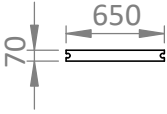
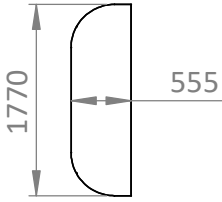
MANDE
SAUNA & HOT TUB



Recommended Tool List:

 <p>Power Drill</p>	 <p>Ø8 Drill Bit Ø0.313 in.</p>	 <p>Ø5mm Drill Bit Ø0.2 in.</p>	 <p>Ø4mm Drill Bit Ø0.157 in.</p>
	 <p>Torx 30</p>	 <p>Torx 20</p>	 <p>Torx 10</p>
 <p>Rubber Mallet</p>	 <p>Hammer</p>	 <p>Utility Knife</p>	 <p>Staple Gun</p>
 <p>Silicone Dispenser</p>	 <p>Silicone</p>	 <p>Black Rubber Sealant</p>	
 <p>Measuring Tape</p>	 <p>Wrench x2</p>	 <p>Water Level</p>	

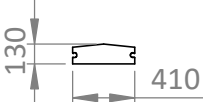


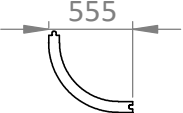

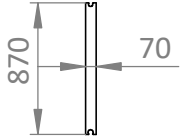

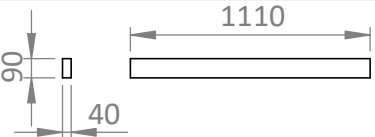
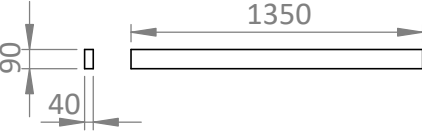
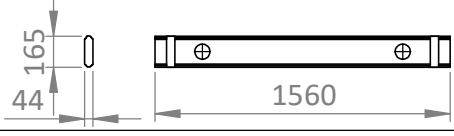
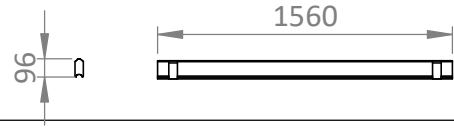

Part List (1/6):

ITEM NO.	QTY.	DESCRIPTION	COMPONENT REFERENCE (mm)	REFERENCE (in)
1	1	Inside Top		0.9 x 5.1 x 21.65
2	1	Top Corner Right		0.9 x 11.8 x 27.3
3	1	Top Corner Left		0.9 x 11.8 x 27.3
4	2	Inside Left		0.9 x 2.75 x 55.9
5	2	Inside Doorway		0.9 x 2.75 x 65
6	1	Inside Bottom Left Corner		0.9 x 10.6 x 24.25
7	1	Inside Bottom Left Corner		0.9 x 10.6 x 24.25
8	1	Inside Bottom Middle Part		0.9 x 7.75 x 25.6
9	2	Tempered Glass Window		21.85 x 69.7



MANDE
SAUNA & HOT TUB

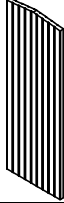
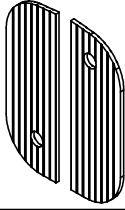
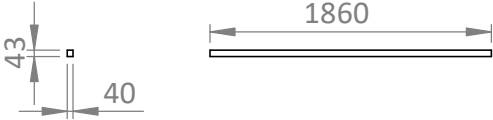
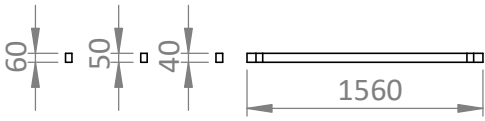

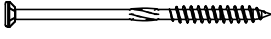
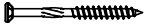
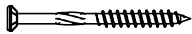
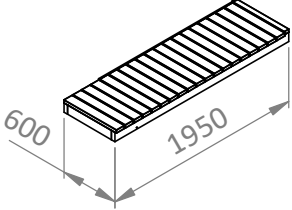
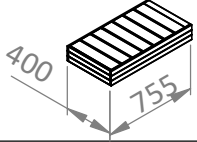



Part List (2/6):

ITEM NO.	QTY.	DESCRIPTION	COMPONENT REFERENCE (mm)	REFERENCE (in)
10	1	Front Top		0.9 x 5.11 x 16.1
11	2	Front Top Corner		0.9 x 21.65 x 21.85
12	2	Front Middle		0.9 x 11.6 x 75.9
13	2	Front Bottom Curve		0.9 x 21.14 x 21.85
14	1	Front Bottom Middle		0.9 x 2.75 x 16.14
15	2	Front Side		0.9 x 2.75 x 34.25
16	32	Torx Ø4x35 T20		Ø0.16 x 1.38
17	3	Base Part		1.5 x 3.5 x 43.7
18	2	Base Part		1.5 x 3.5 x 53.15
19	1	Center Part		1.7 x 6.5 x 61.41
20	88	Wall Section		1.7 x 3.7 x 61.41
21	2	Floor Drain		



MANDE
SAUNA & HOT TUB

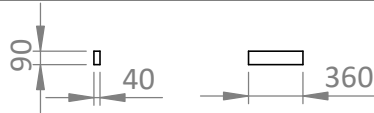
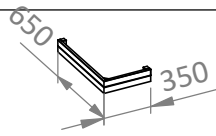
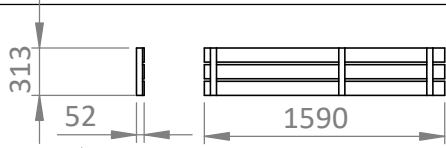
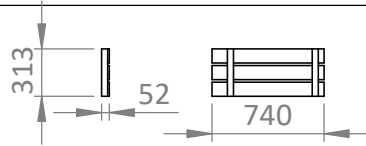
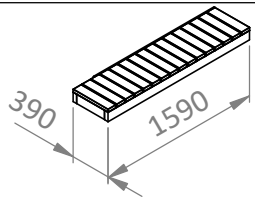
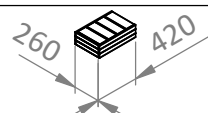

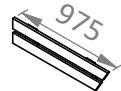
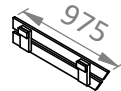
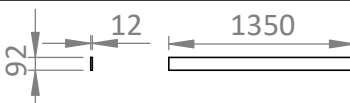
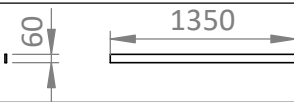
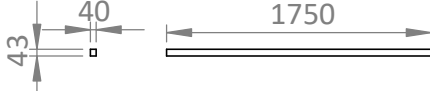
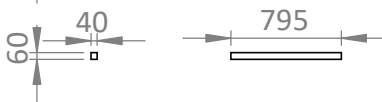
Part List (3/6):

ITEM NO.	QTY.	DESCRIPTION	COMPONENT REFERENCE (mm)	REFERENCE (in)
22	1	Back Wall Middle		1.7 x 27.5 x 76.77
23	2	Back Wall Side		1.7 x 25.6 x 75.3
24	1	Back Wall Connector		1.7 x 1.57 x 73.2
25	1	Top Insert		1.7 x 3.7 x 61.41
26	2	Vent		
27	36	Torx Ø5x120 T30		Ø0.2 x 4.73
28	330	Torx Ø4.5x60 T20		Ø0.17 x 2.36
29	30	Torx Ø6x80 T30		Ø0.23 x 3.15
30	1	Top Bench		4.7 x 23.62 x 77.17
31	1	Top Side Bench		4.7 x 15.75 x 29.72
32	1	Top Bench Support		1.5 x 3.5 x 31.3
33	1	Top Bench Support		1.5 x 3.5 x 31.1
34	1	Top Bench Support		1.5 x 3.5 x 30.7



MANDE
SAUNA & HOT TUB

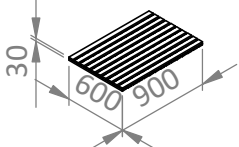
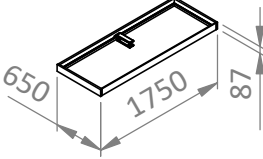

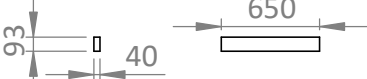
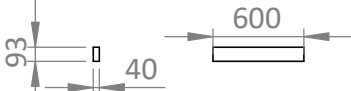


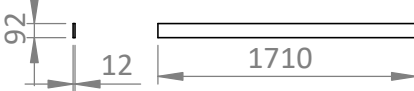
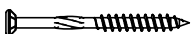
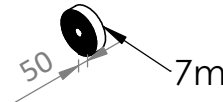
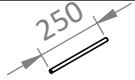


Part List (4/6):

ITEM NO.	QTY.	DESCRIPTION	COMPONENT REFERENCE (mm)	REFERENCE (in)
35	2	Back Rest Support		1.5 x 3.5 x 14.17
36	1	Heater Protector		3.5 x 13.78 x 25.6
37	1	Lower Back Rest		2 x 12.3 x 62.6
38	1	Lower Side Back Rest		2 x 12.3 x 29.13
39	1	Lower Bench		4.7 x 15.35 x 62.6
40	1	Lower Bench		4.7 x 10.23 x 16.54
41	2	Lower Bench Support		1.5 x 3.5 x 13
42	1	Back Rest Left		2.5 x 8.7 x 38.4
43	1	Back Rest Right		2.5 x 8.7 x 38.4
44	1	Ceiling Cover		0.5 x 3.6 x 53.15
45	2	Ceiling Cover		0.5 x 2.36 x 53.15
46	2	Door Frame Support		1.57 x 1.7 x 68.9
47	2	Door Frame Support		1.57 x 2.36 x 31.3



MANDE
SAUNA & HOT TUB

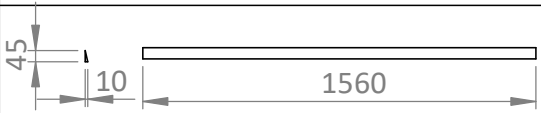
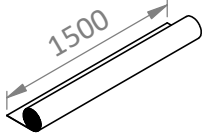
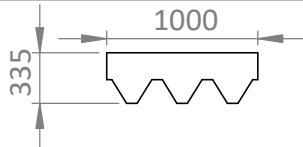

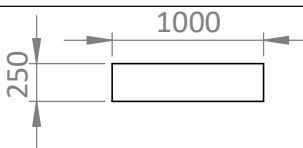

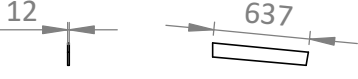
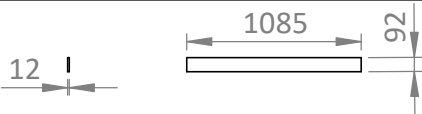
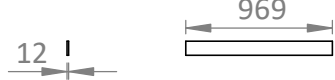
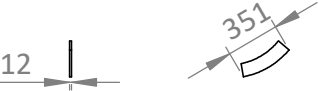
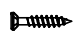
Part List (5/6):

ITEM NO.	QTY.	DESCRIPTION	COMPONENT REFERENCE (mm)	REFERENCE (in)
48	1	Floor Mesh		1.2 x 23.6 x 35.4
49	1	Door		3.66 x 29.5 x 68.9
50	2	Fireplace Holder		1.5 x 1.7 x 3.5
51	1	Fireplace Holder		1.5 x 3.6 x 25.6
52	1	Fireplace Holder		1.5 x 3.6 x 23.6
53	2	Door Front Siding		0.5 x 3.6 x 31.3
54	1	Door Front Siding		0.5 x 2.36 x 31.3
55	2	Door Front Siding Vertical		0.5 x 3.6 x 67.32
56	25	Torx Ø5x90 T30		Ø0.2 x 3.5
57	2	Steel Band		2 x 275
58	2	Long Screw		Ø0.47x9.84
59	4	M12 Nut		
60	4	M12 Dome Nut		



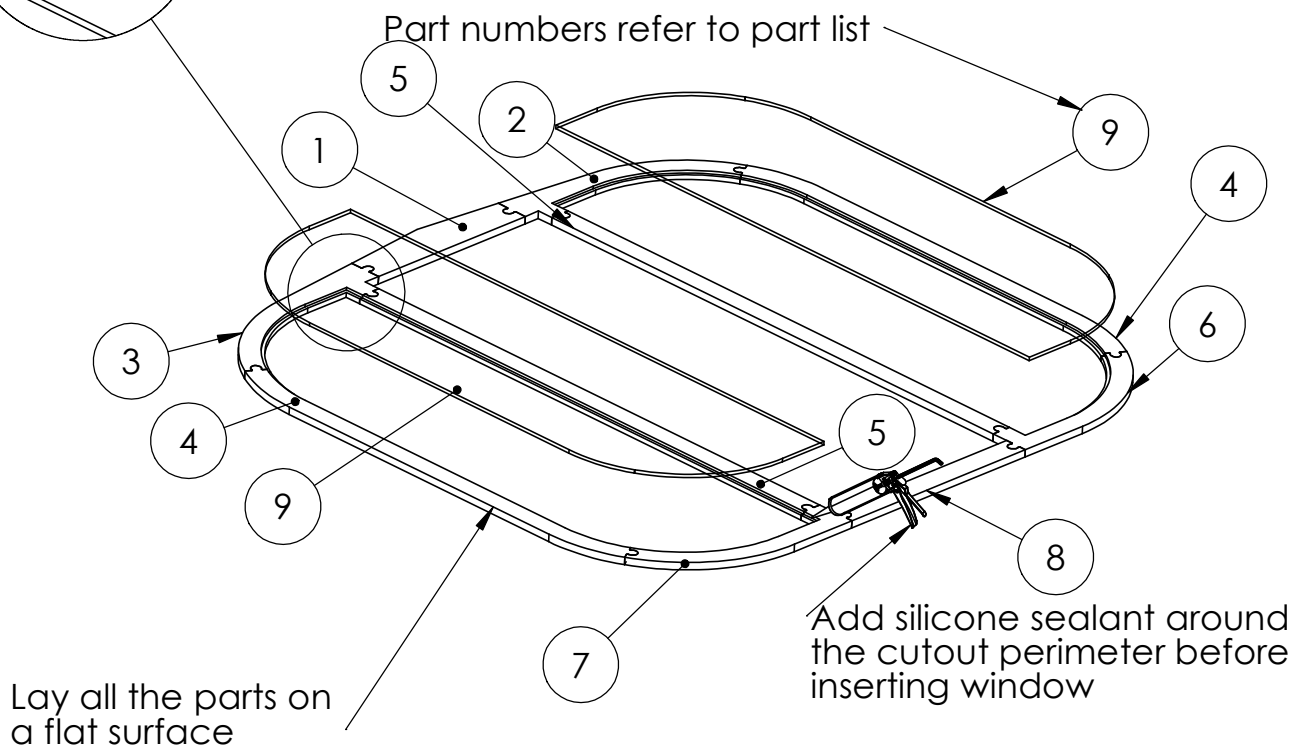
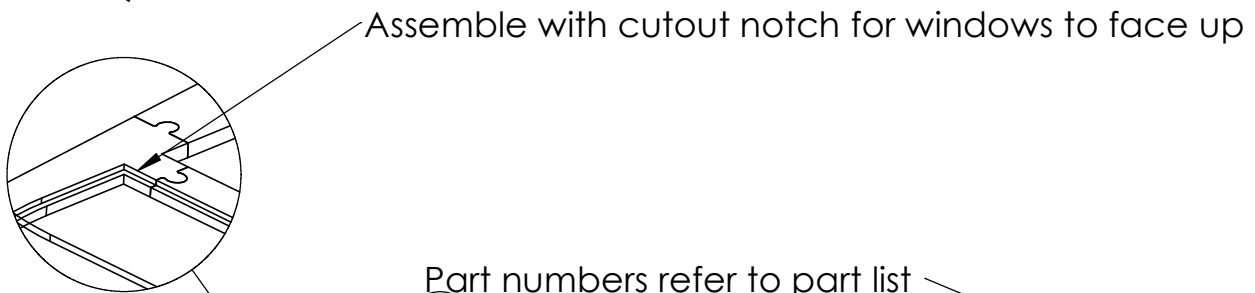
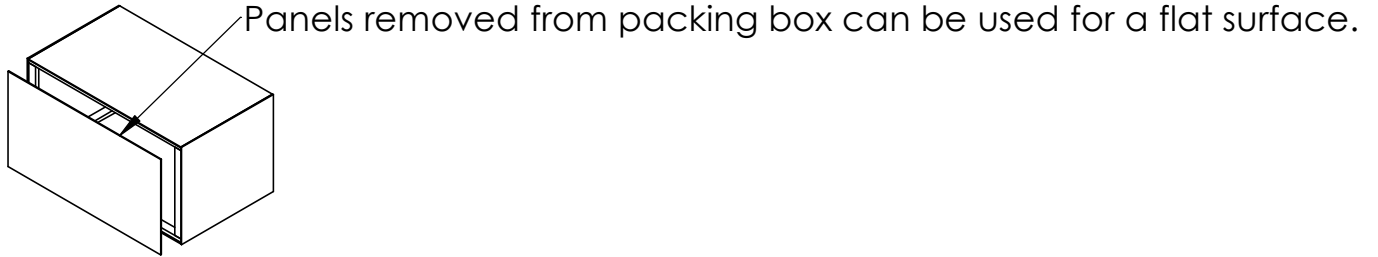
MANDE
SAUNA & HOT TUB

Part List (6/6):

ITEM NO.	QTY.	DESCRIPTION	COMPONENT REFERENCE (mm)	REFERENCE (in)
61	2	Angled Roof Spacer		0.39 x 1.77 x 61.42
62	1	Roofing Felt		W59
63	55	Roof Shingle		13.19 x 39.37
64	192	Roofing Nail Ø4x22		Ø0.16 x 0.86
65	2	Top Shingle		9.84 x 39.37
66	45	Roofing Screw Ø4.8x35		Ø0.19 x 1.38
67	4	Top Cover Siding		0.5 x 3.6 x 25
68	2	Bottom Siding		0.5 x 3.6 x 42.72
69	4	Siding		0.5 x 3.6 x 38.15
70	16	Corner Siding		0.5 x 3.6 x 13.8
71	18	Torx Ø3x20 T10		Ø0.1 x 0.8

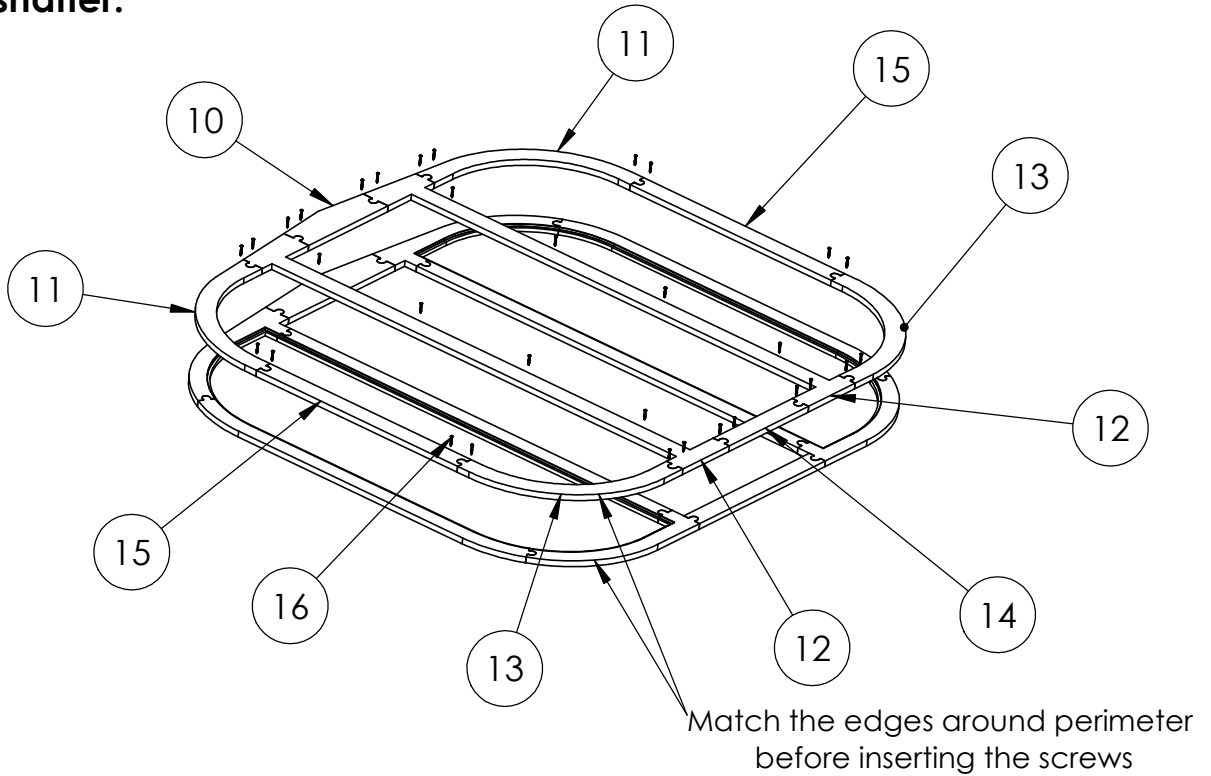
Front Wall

Important: before starting work on the walls prepare an even and flat surface!

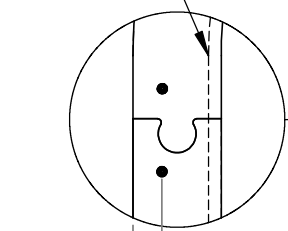


Front Wall

Important: use caution while working with glass. Do not screw or drill the glass, for it will shatter.



Be careful around the glass



1 in.
25mm

Reccomended screw distance

Mark the center for assembly later

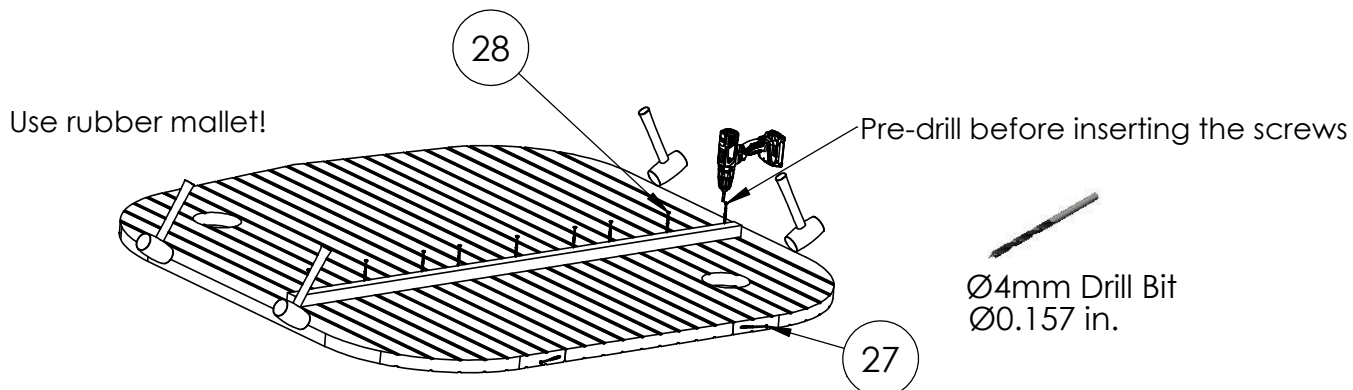
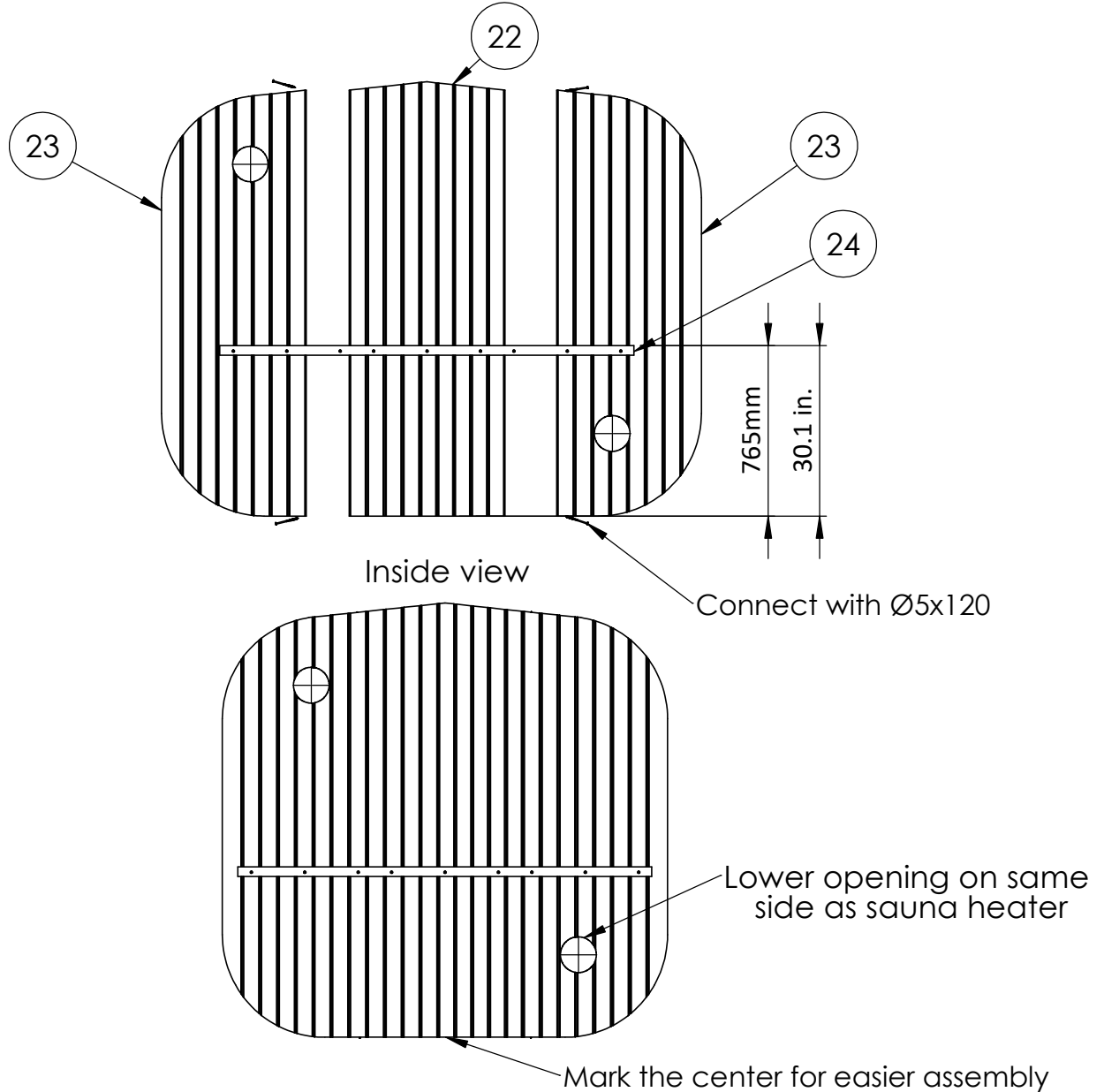
Leave the wall to rest for an hour, for the silicone to solidify.

Next parts of the assembly can be worked on during that time.

Back wall

Important: before starting work on the back wall prepare an even and flat surface!

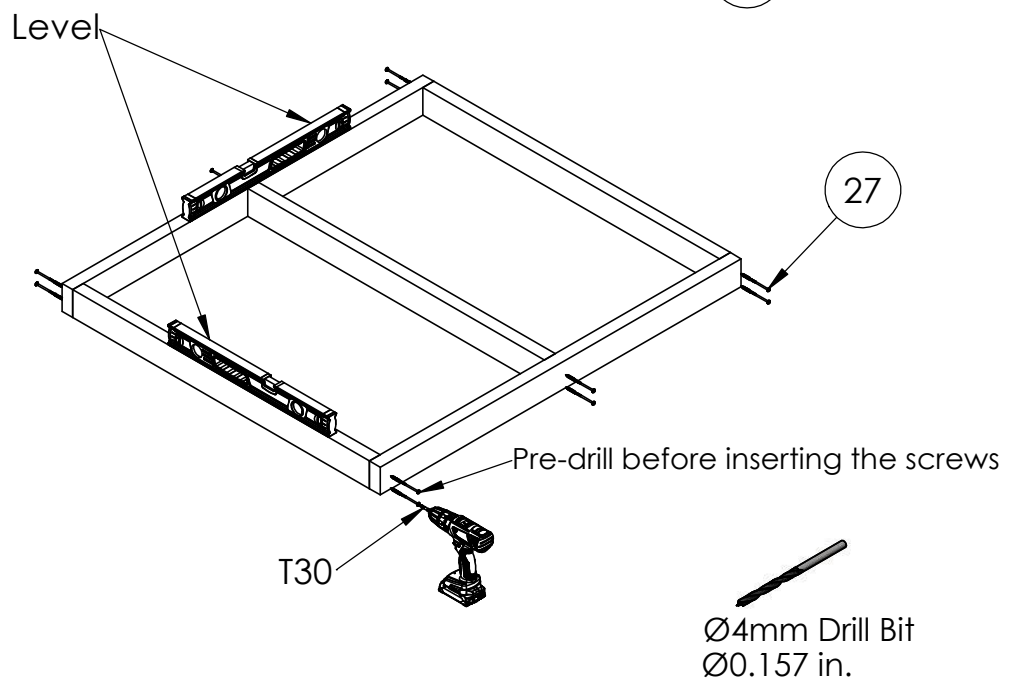
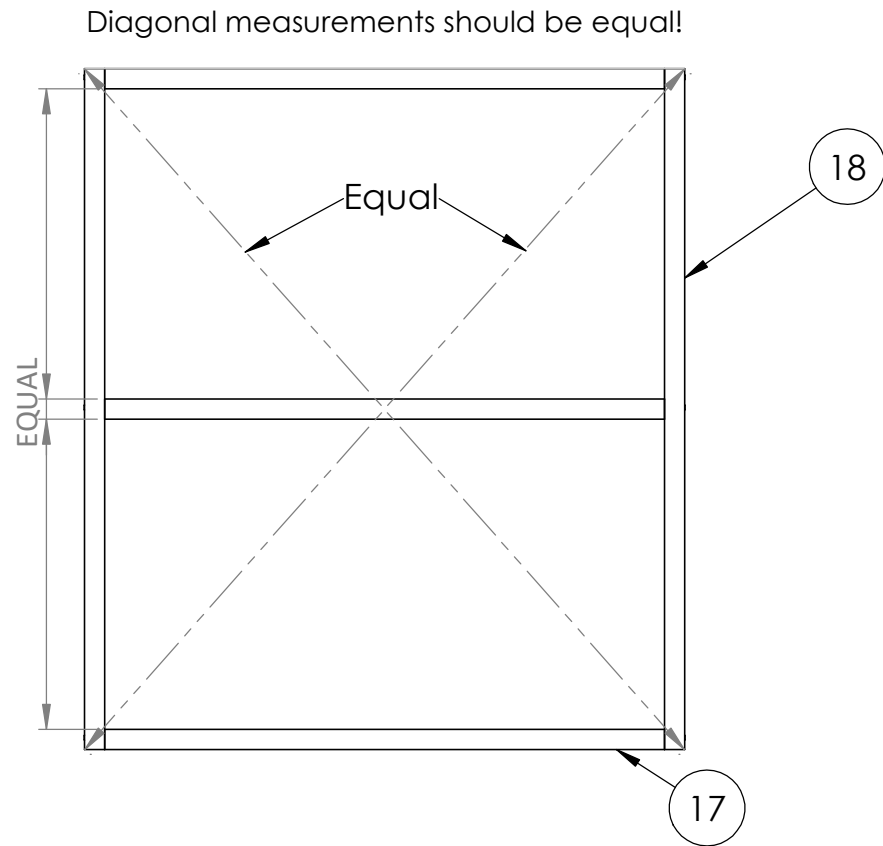
Important: 3 or more people recommended for this part. Panels are heavy!



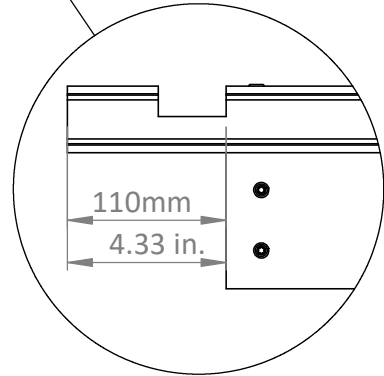
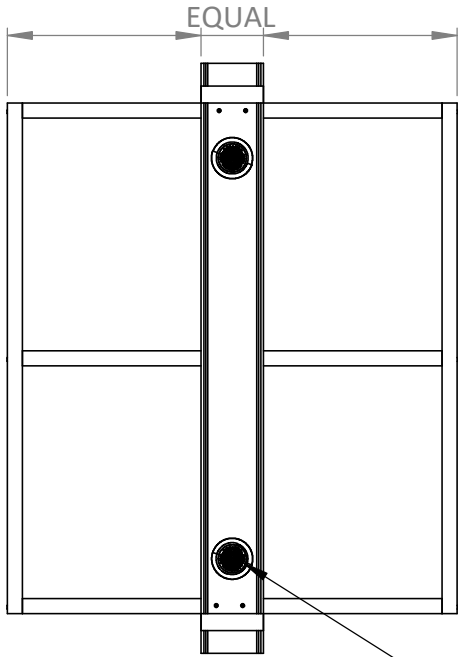
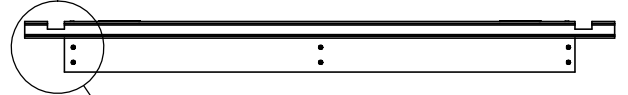
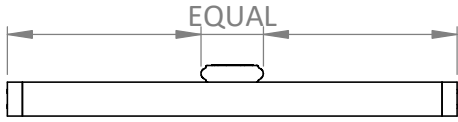
Note: pre-drill holes only for the length of the screw
pre-drilling is to prevent cracking of thermal wood.

Base

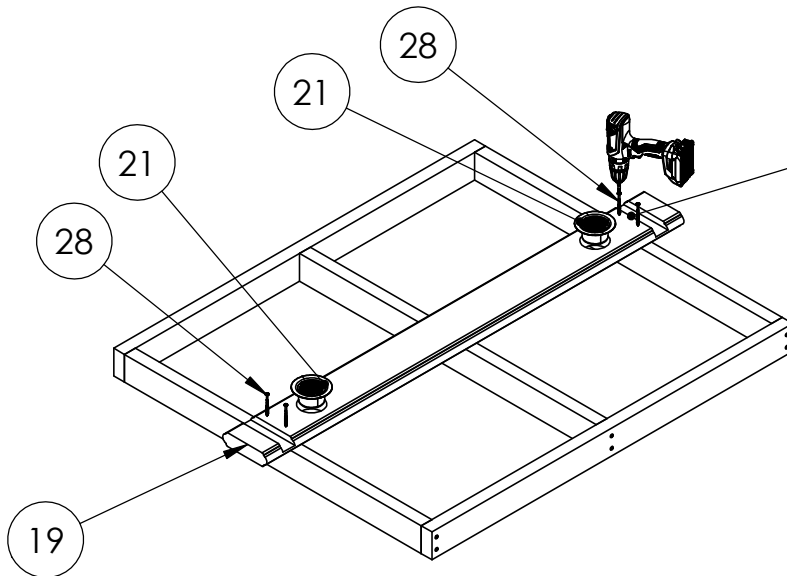
Important: before starting work on the base prepare an even and flat surface!



Base



Insert drain before fixing middle plank

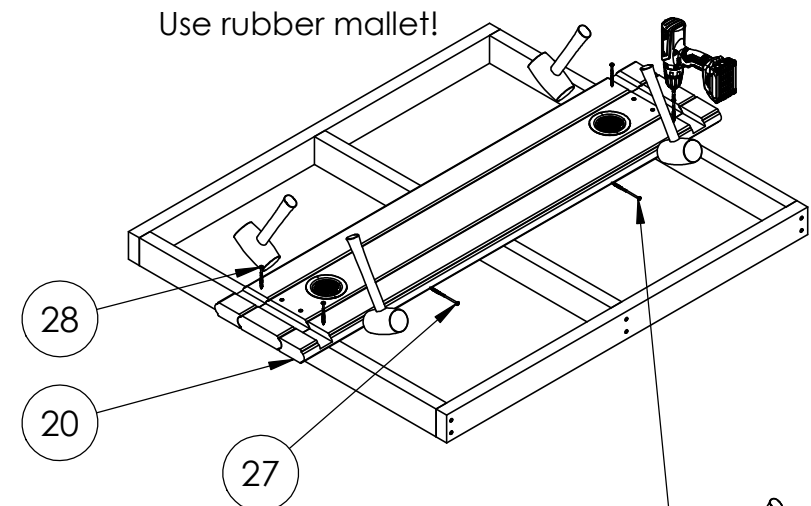


Pre-drill before inserting the screws

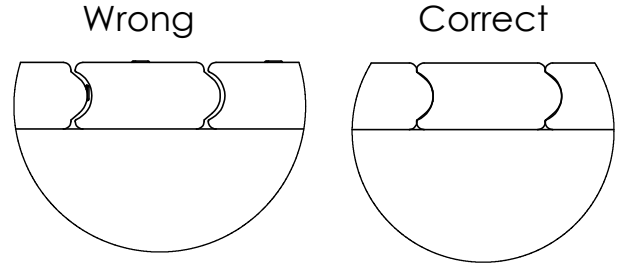

Ø4mm Drill Bit
Ø0.157 in.

Floor

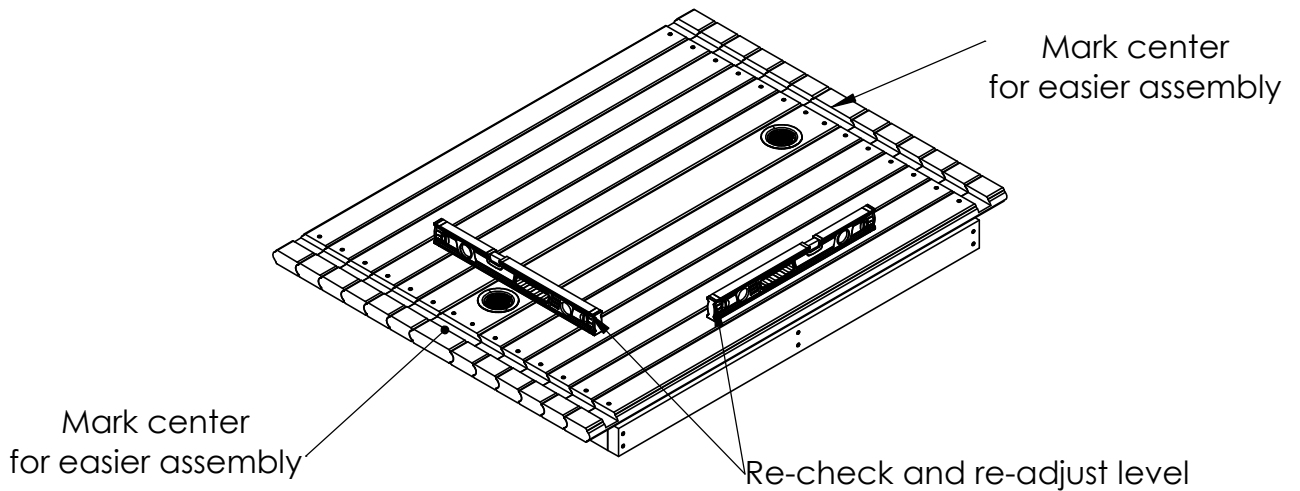
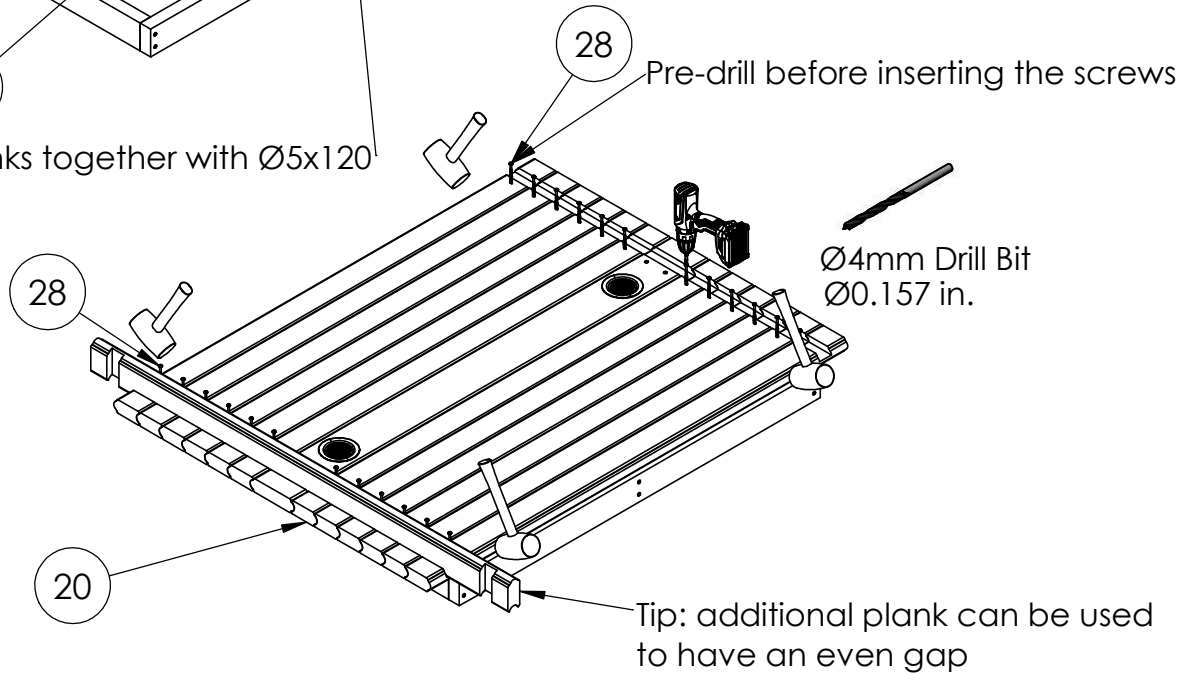
Important: pre-drill every screw



Connect floor planks together with $\text{Ø}5 \times 120$

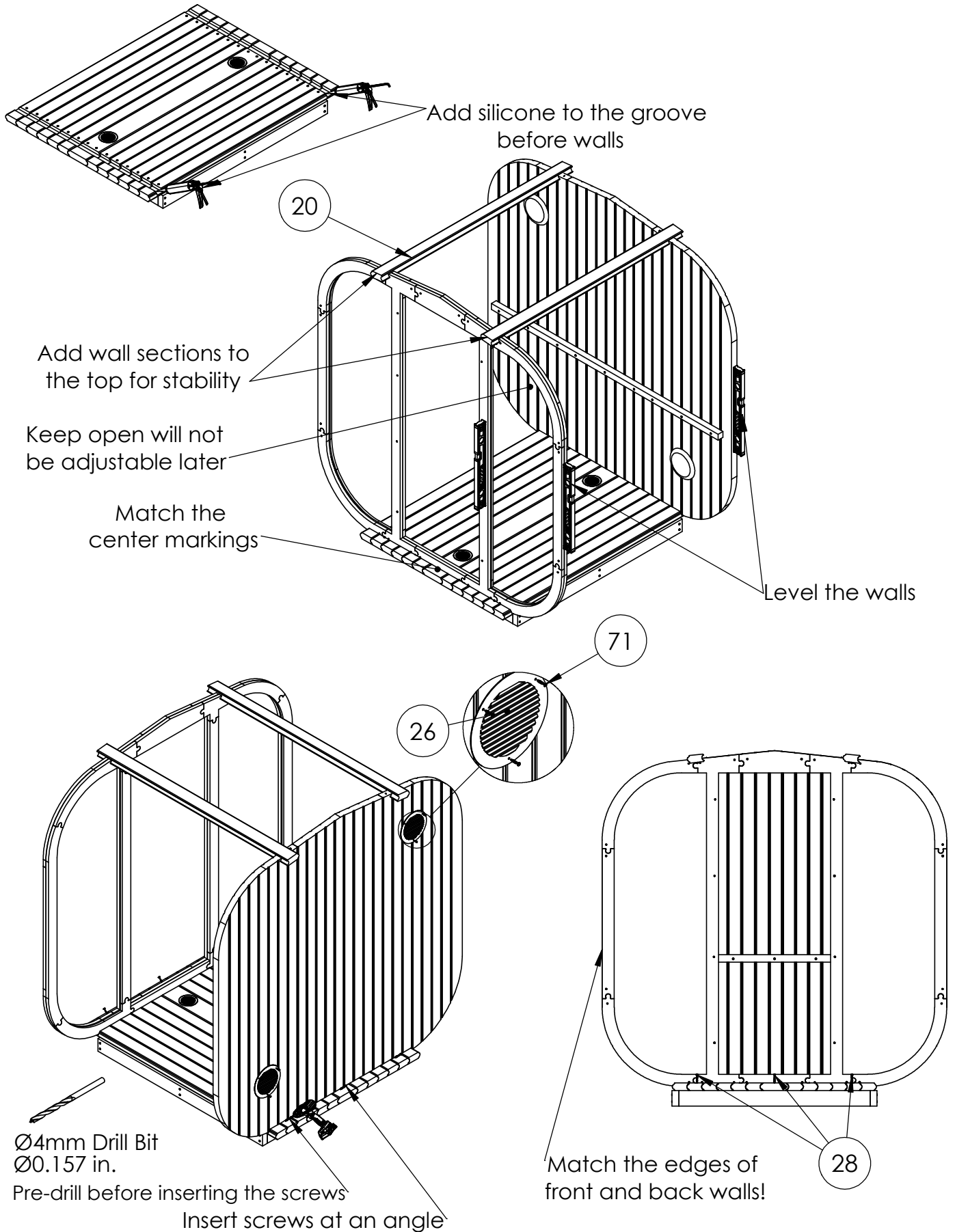


To ensure correct gaps use rubber mallet before fixing each plank



Base with walls

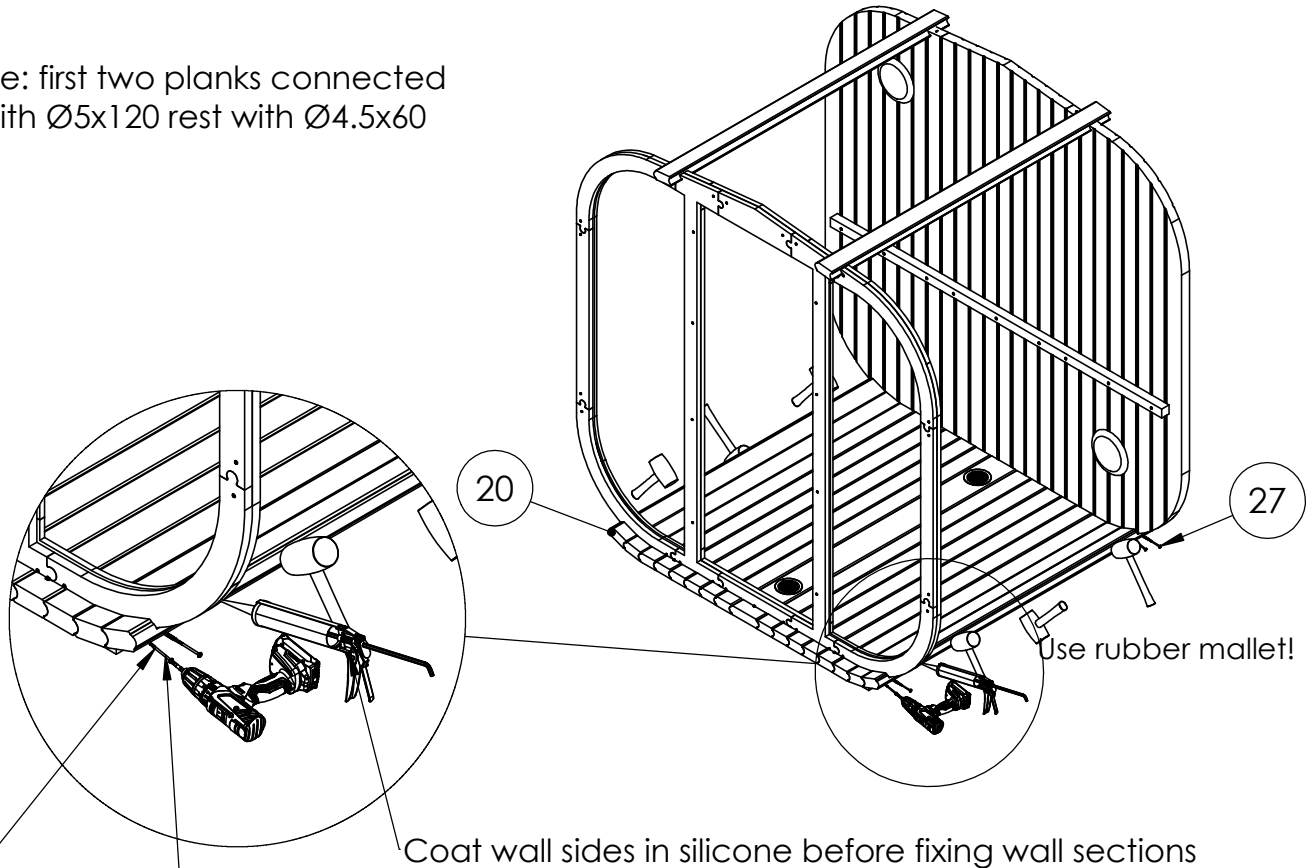
Important: 3 or more people recommended for this part. Panels are heavy!



Base with walls

Important: coat the edges with silicone before fixing wall sections.

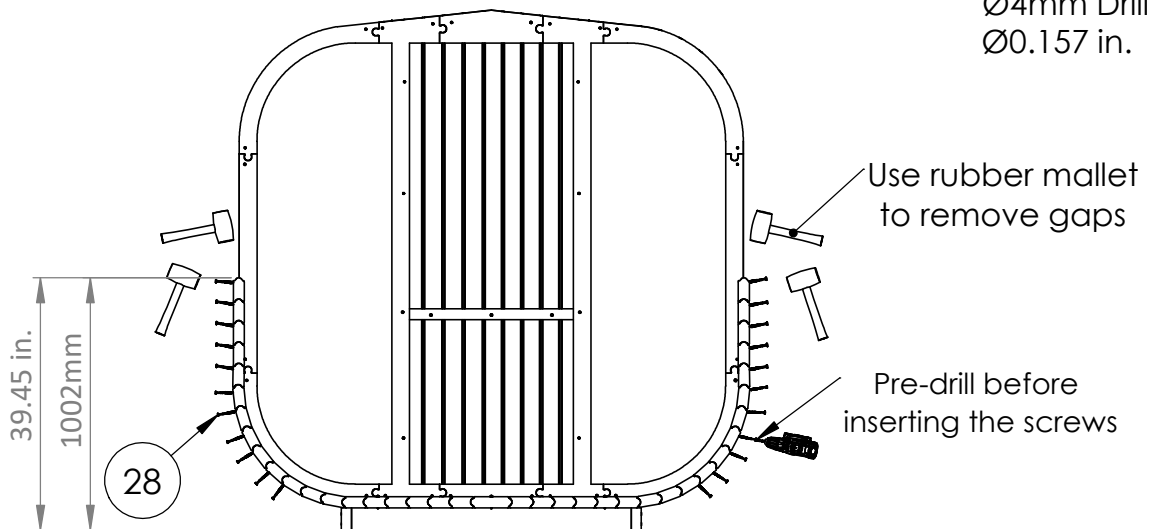
Note: first two planks connected with $\varnothing 5 \times 120$ rest with $\varnothing 4.5 \times 60$



Coat wall sides in silicone before fixing wall sections

Pre-drill before inserting the screws

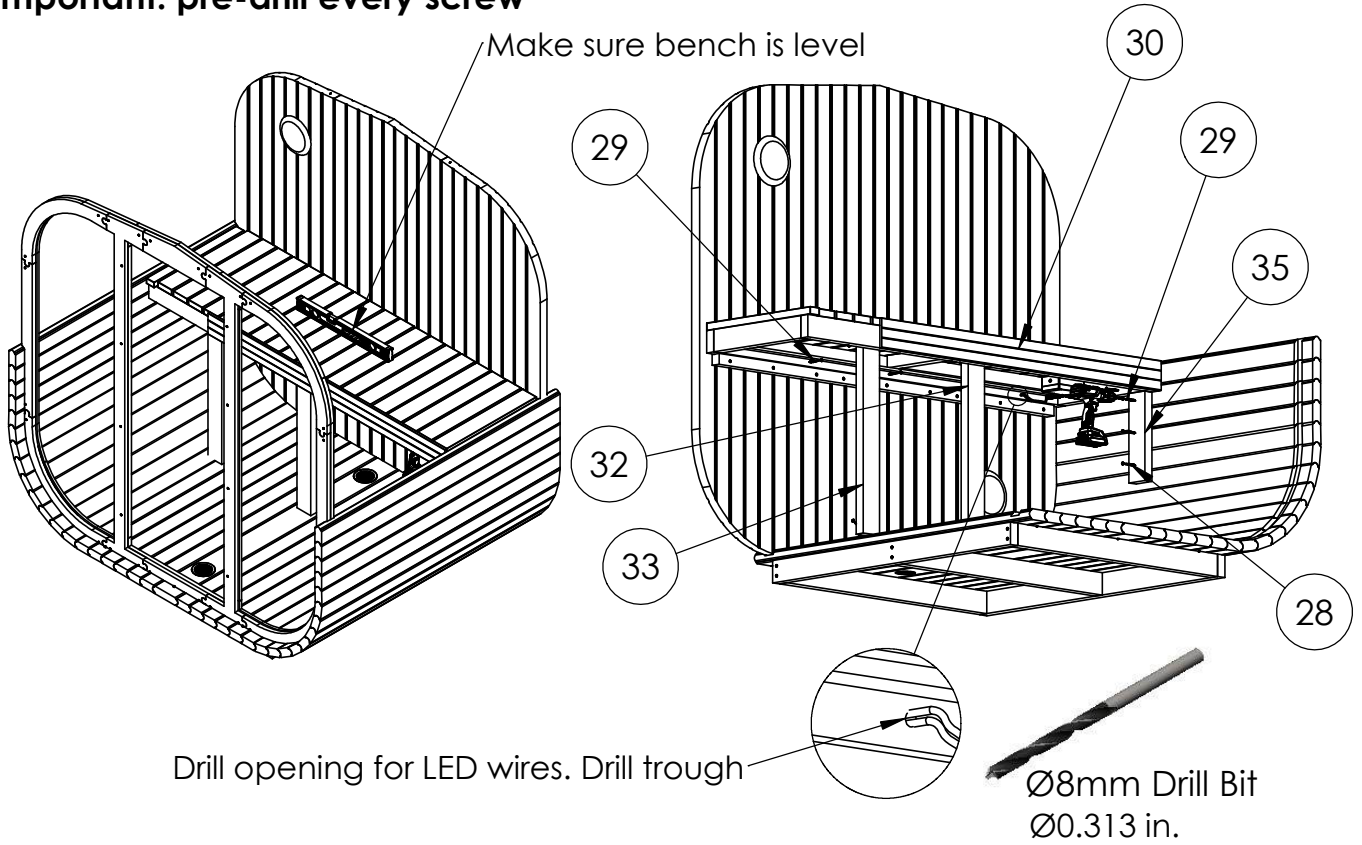
**Use caution with 5x120 screws
screw at an angle away from glass**



Recommended wall height before inserting benches

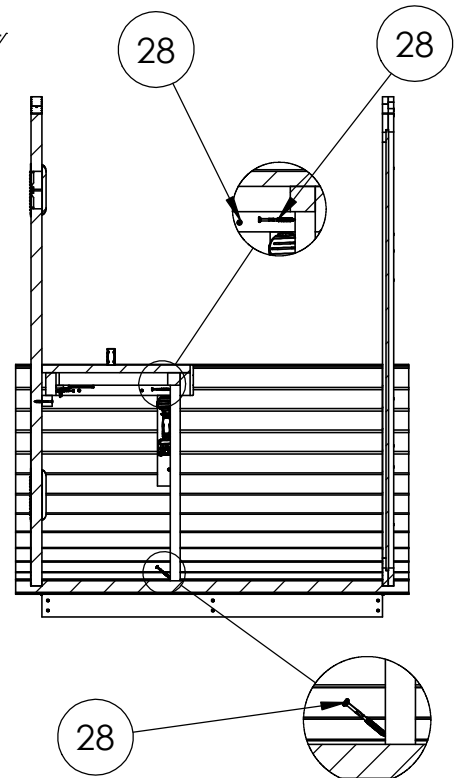
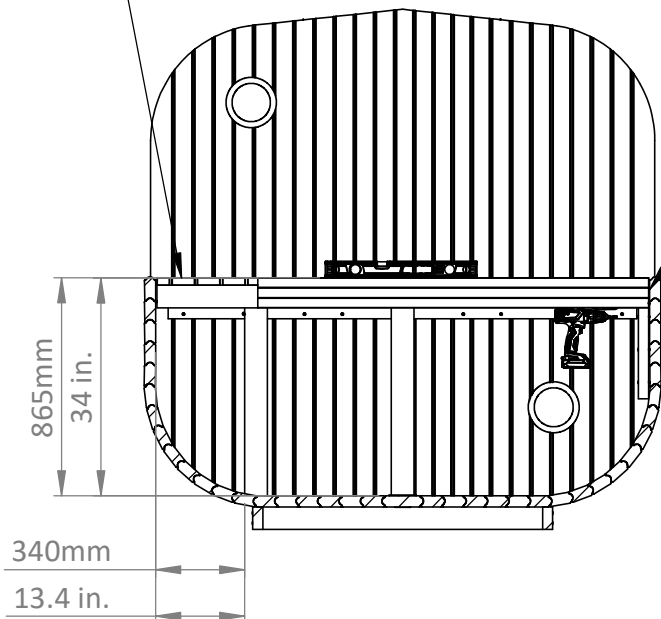
Bench

Important: 3 or more people recommended for this part. Benches are heavy!
Important: pre-drill every screw



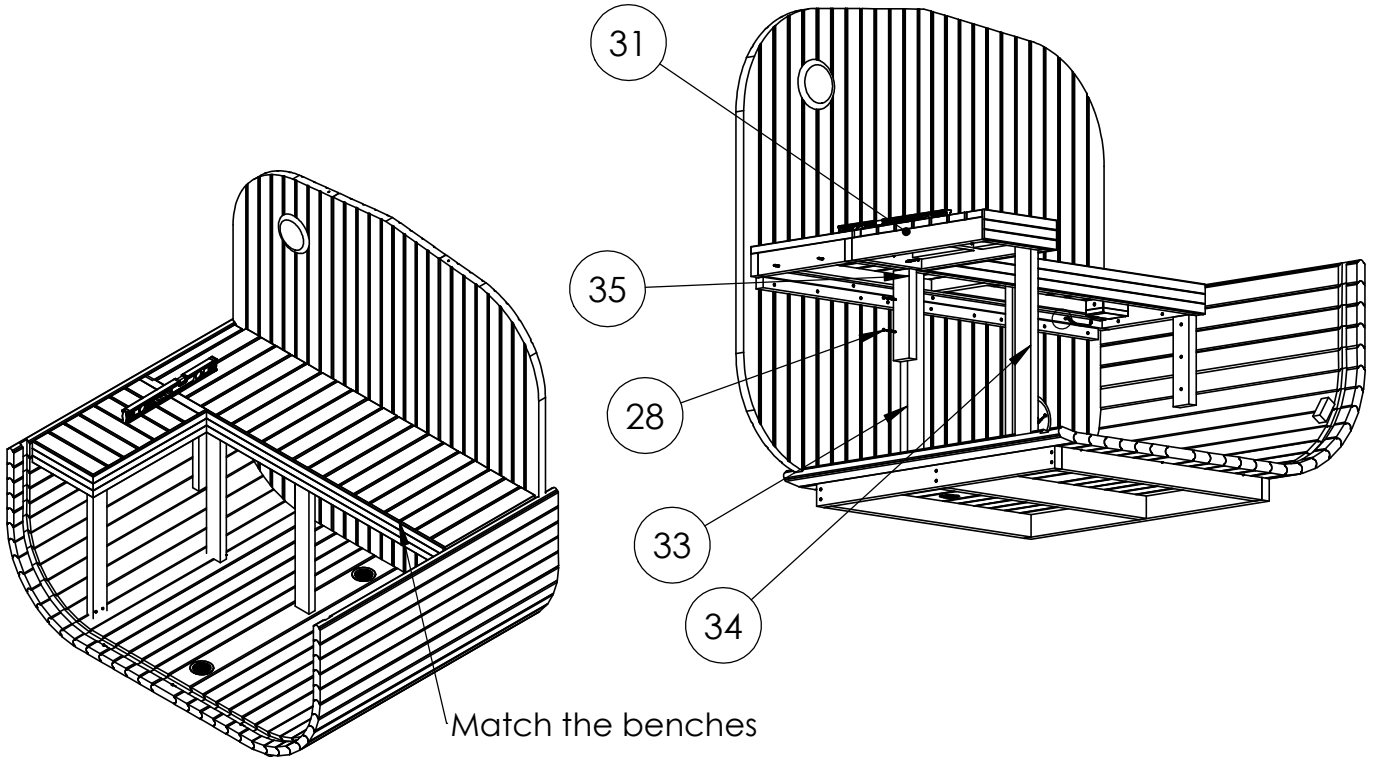
Fix each leg with 2 screws top and 2 screws bottom (Ø4.5x60); Pre-drill with Ø4mm drill bit

Fix bench with 2 pcs. Ø6x80 screws on each side and 5 pcs. Ø6x80 on the back side predrill with Ø5 drill bit



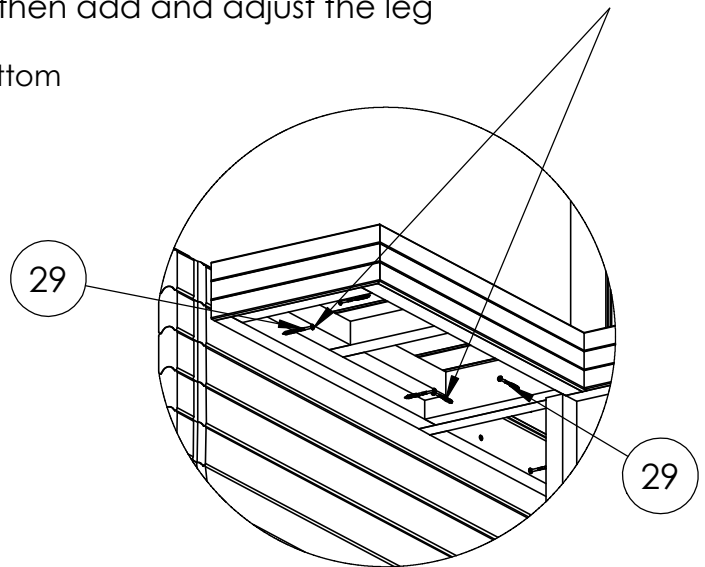
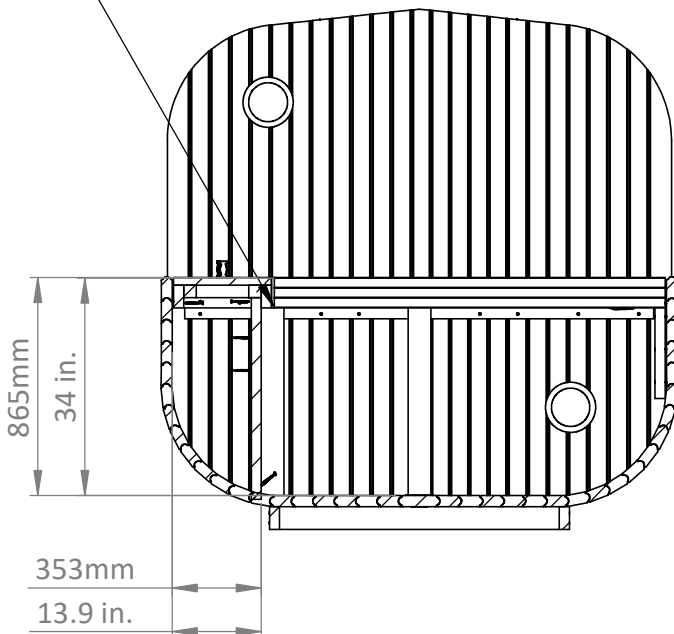
Bench

Important: 3 or more people recommended for this part. Benches are heavy!
Important: pre-drill every screw



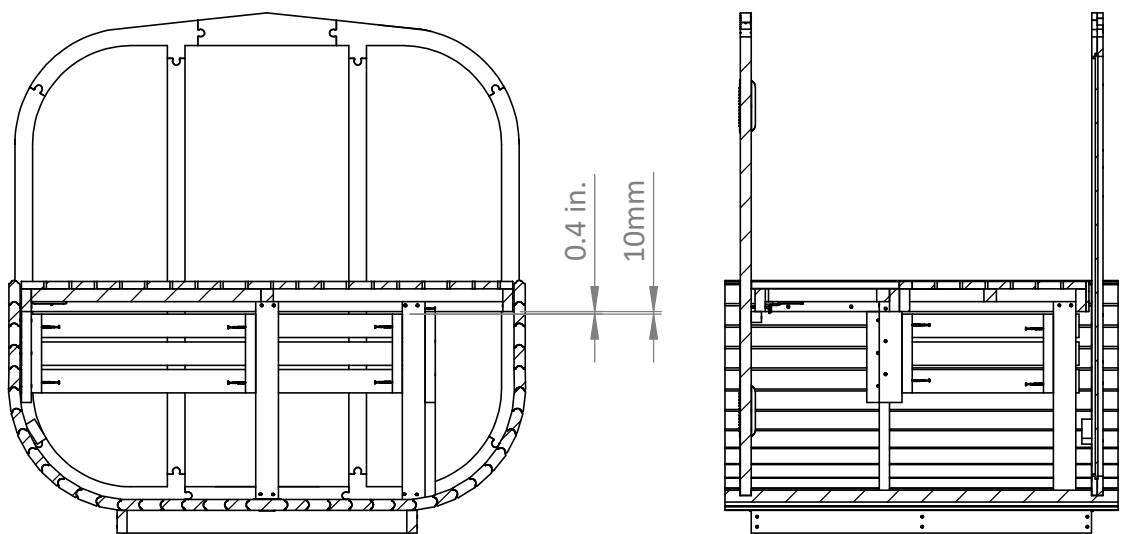
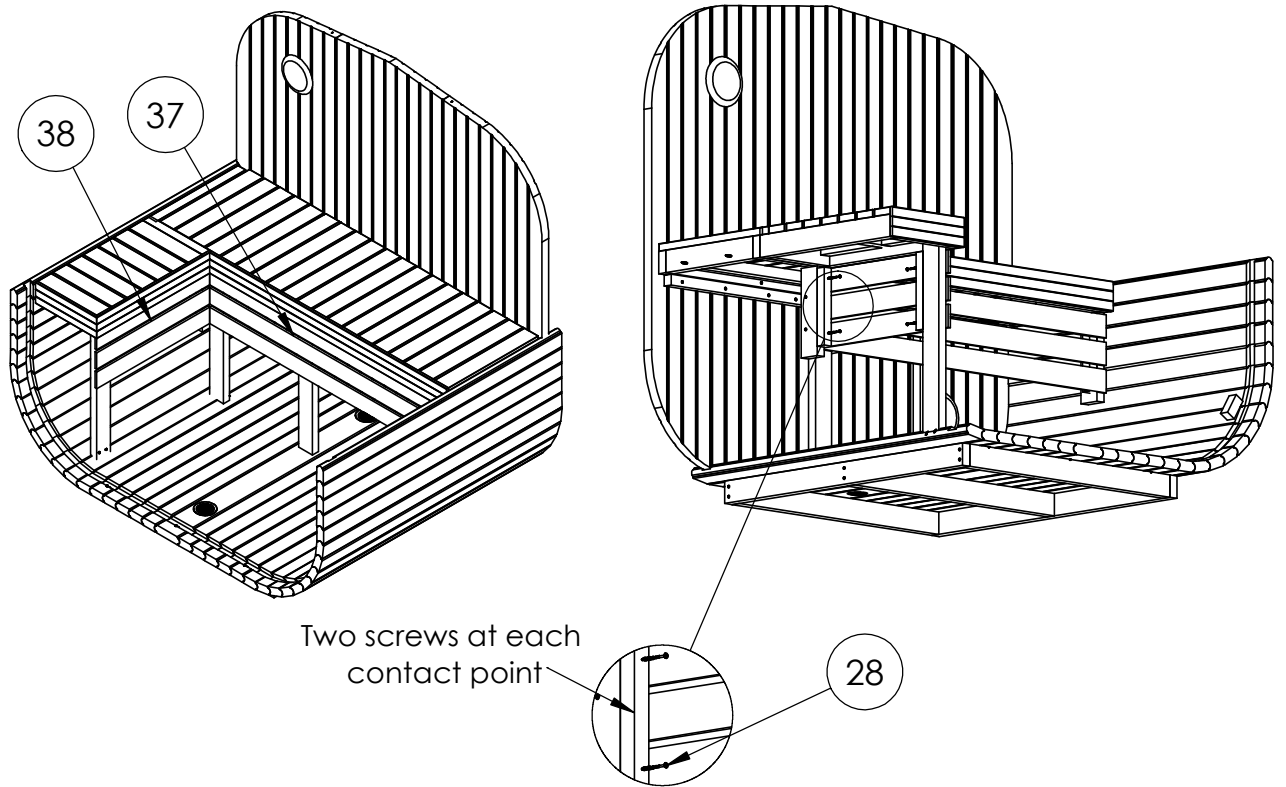
Connection points under side bench
 Connect with other bench leg and wall first
 then add and adjust the leg

Fix each leg with 2 screws top and 2 screws bottom
 (Ø4.5x60); Pre-drill with Ø4mm drill bit



Bench

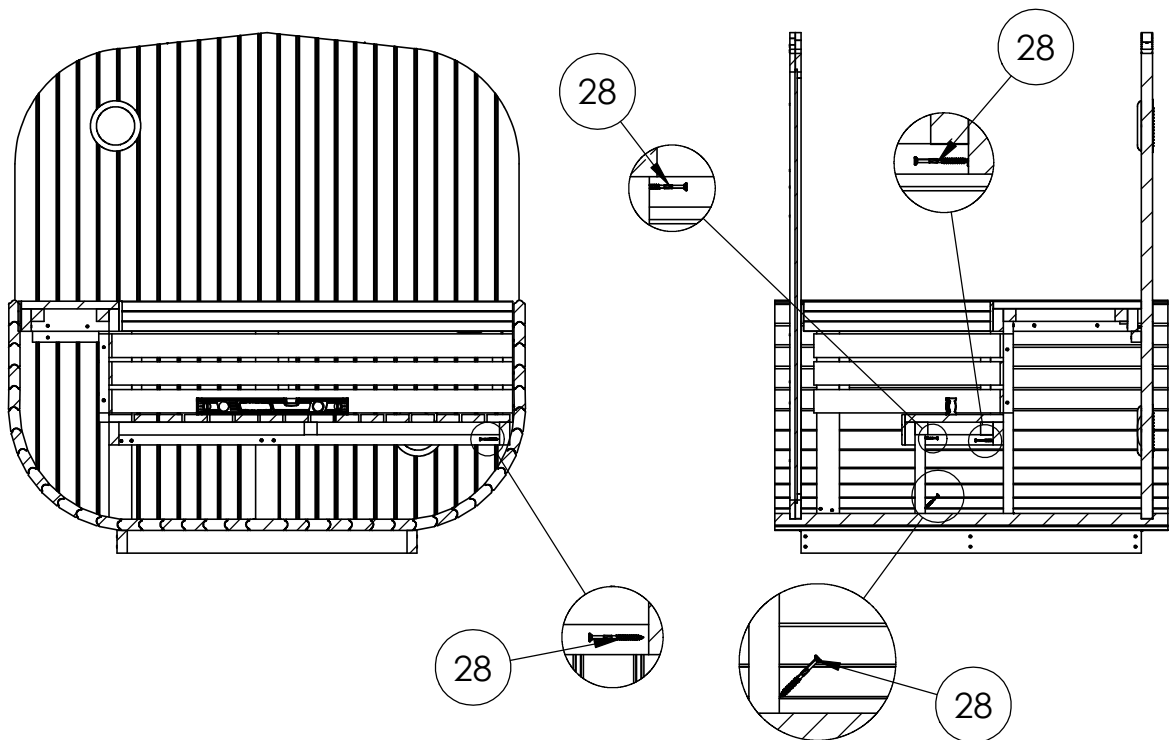
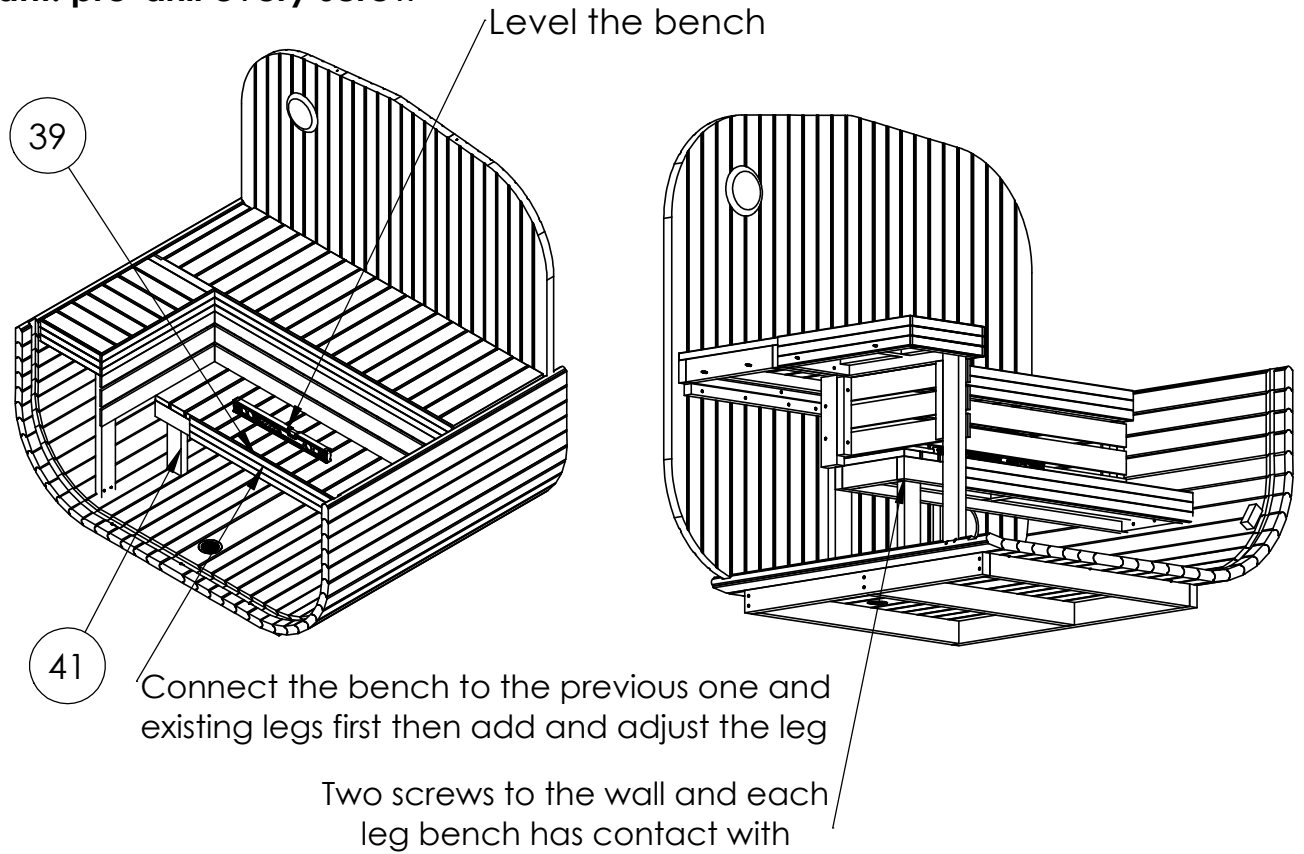
Important: connect backrest from back side so no screws are visible on the front



Bench

Important: 3 or more people recommended for this part. Benches are heavy!

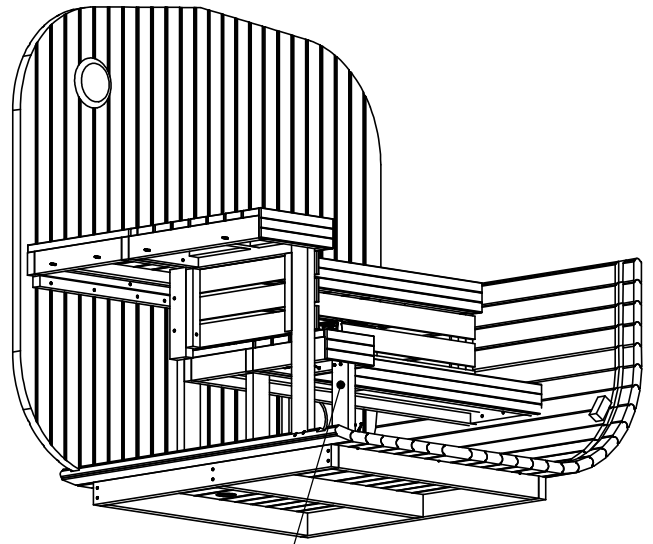
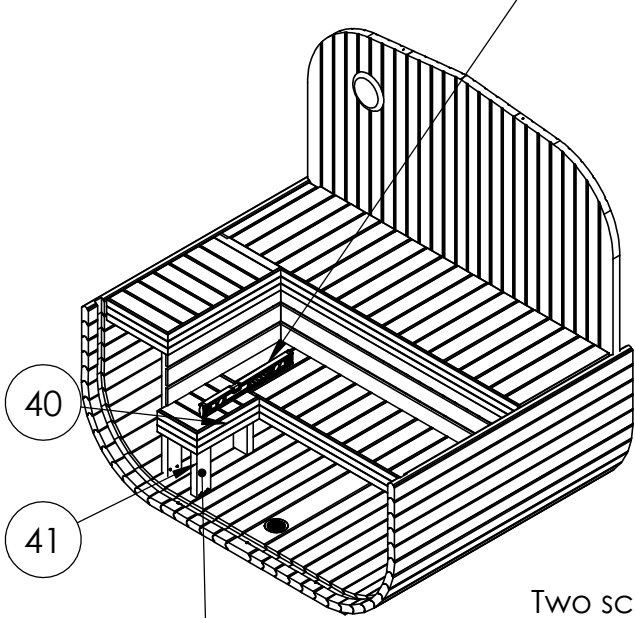
Important: pre-drill every screw



Bench

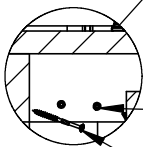
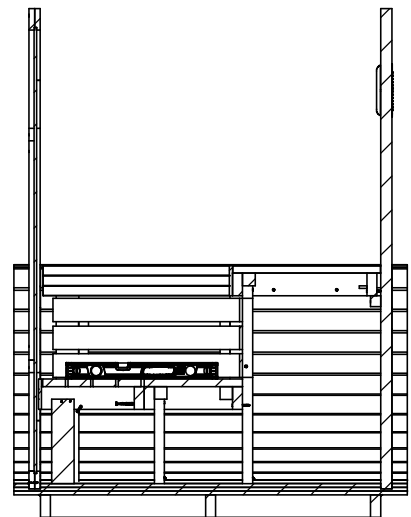
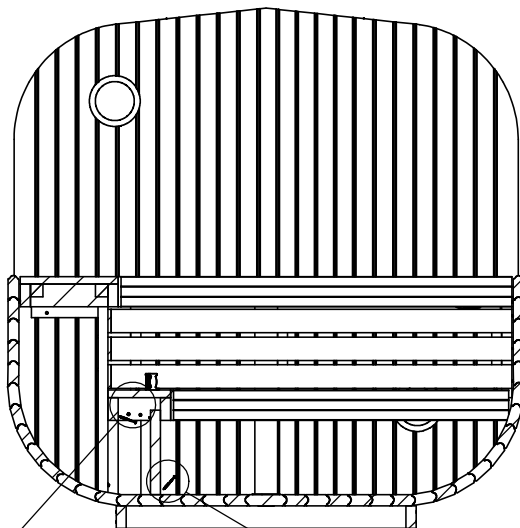
Important: pre-drill every screw

Make sure benches are level and even

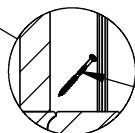


Two screws to the wall and each leg bench has contact with

Connect the bench to the previous one and existing legs first then add and adjust the leg



28

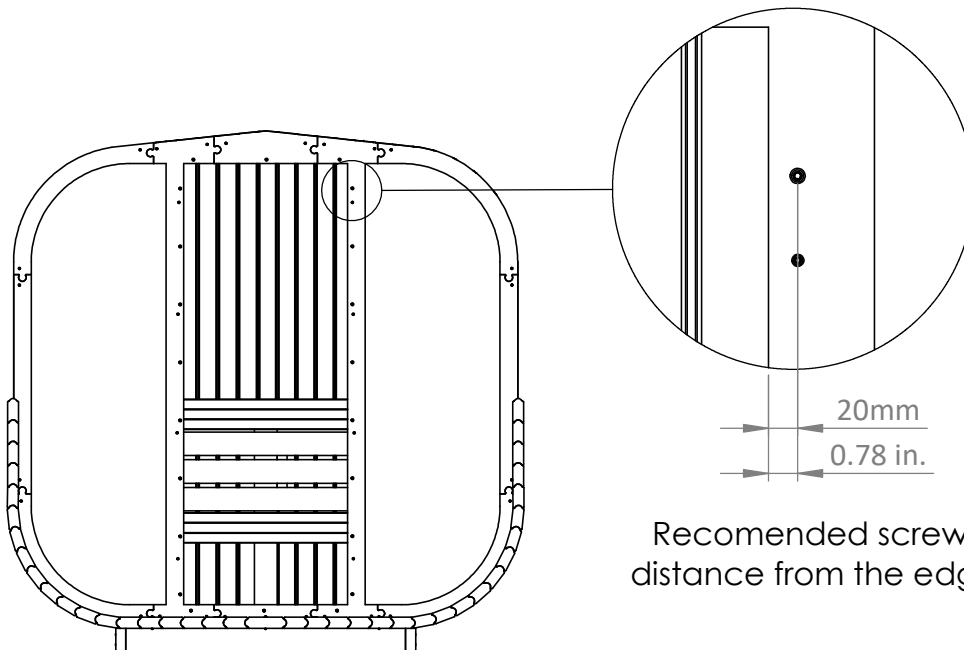
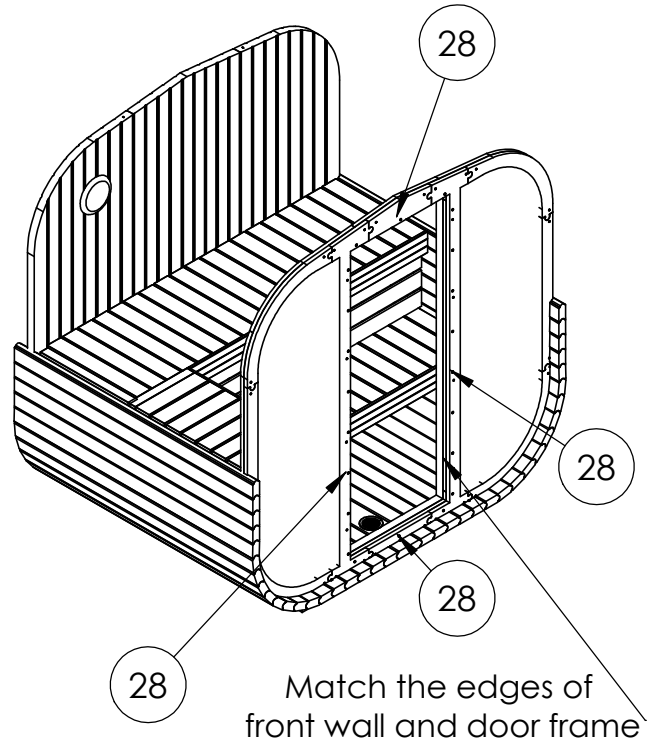
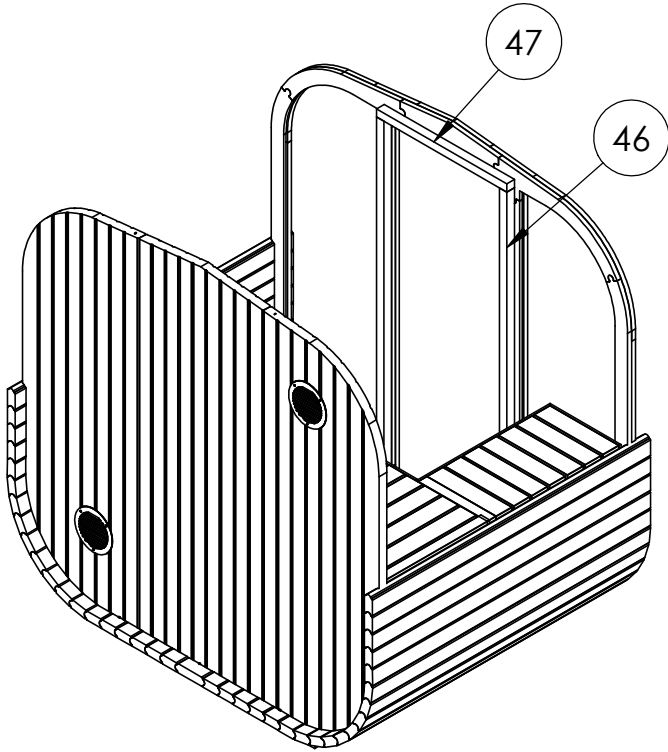


28

Doorway

Important: pre-drill every screw

Important: use caution while working with glass. Do not screw or drill the glass, for it will shatter.

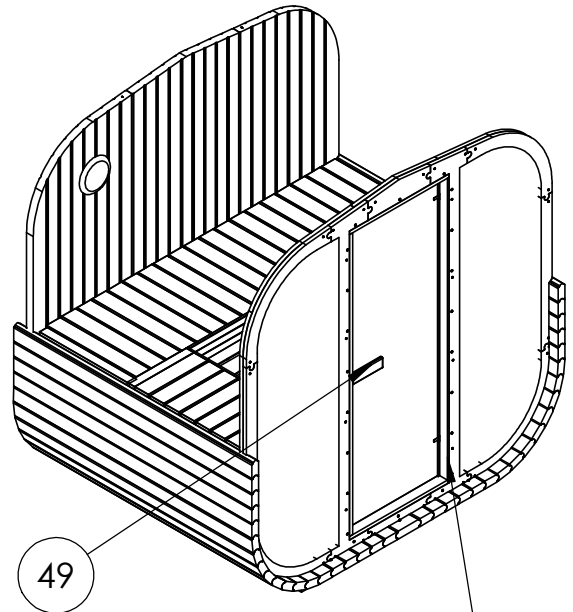
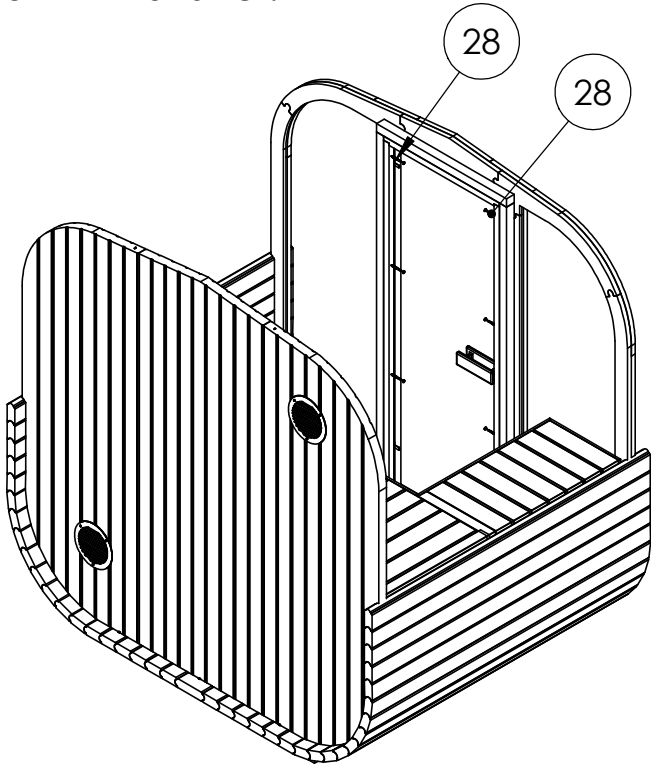


Recomended screw distance from the edge

Door

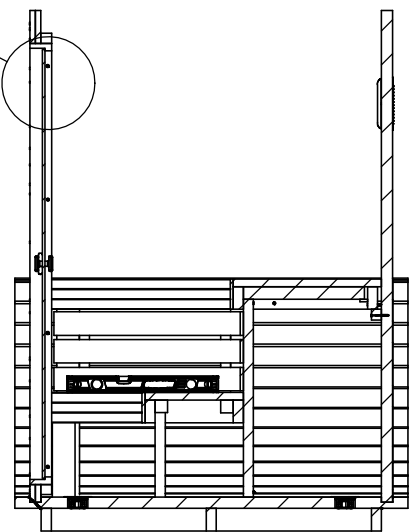
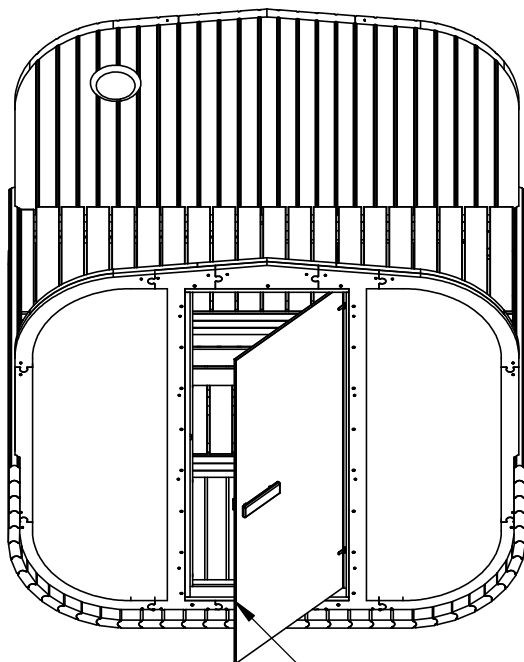
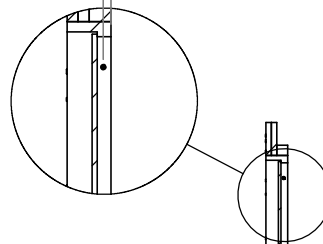
Important: pre-drill every screw

Important: use caution while working with glass. Do not screw or drill the glass, for it will shatter.



Match the edges of front wall and door frame

15mm
0.59 in.

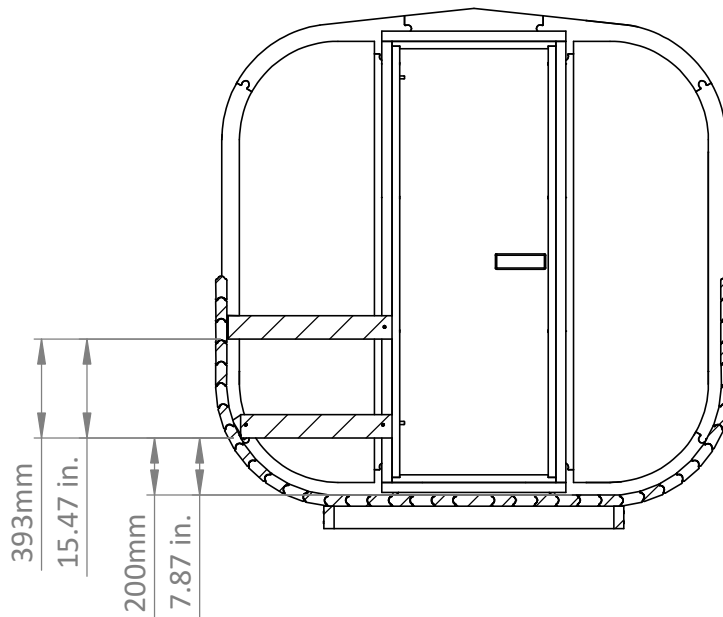
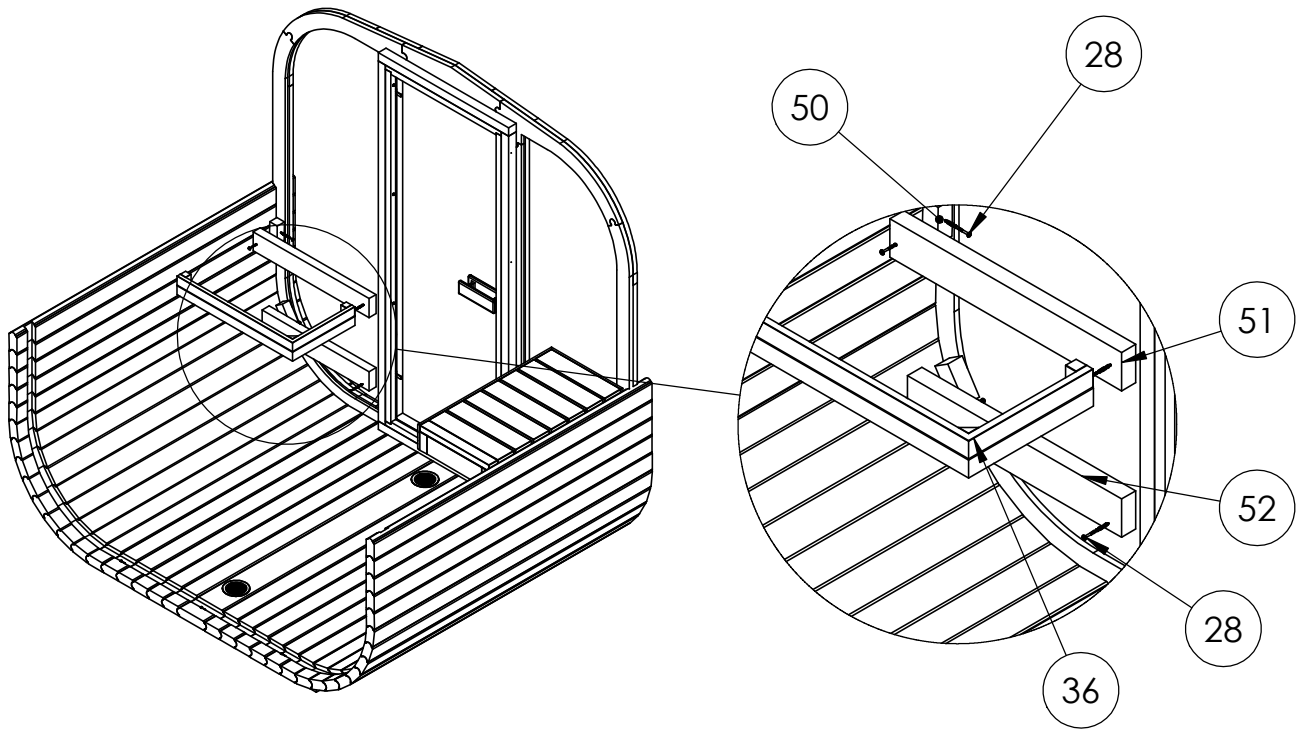


Make sure Door opens as shown

Fireplace Holder

Important: pre-drill every screw

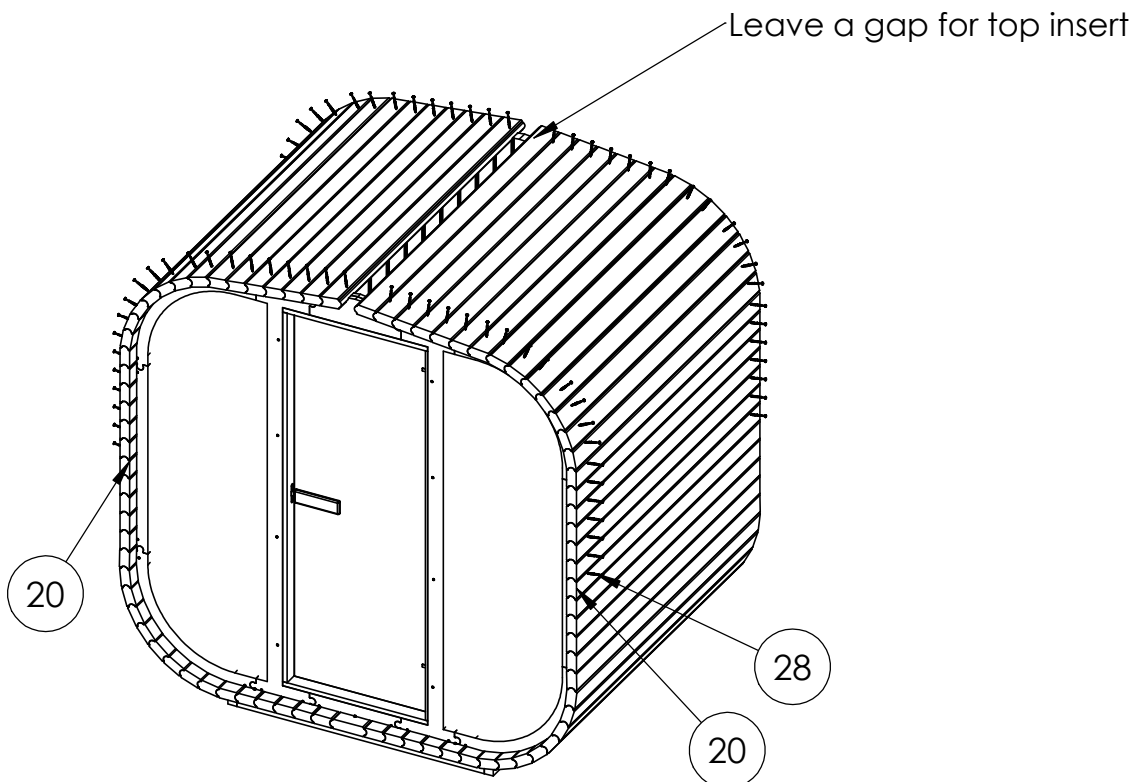
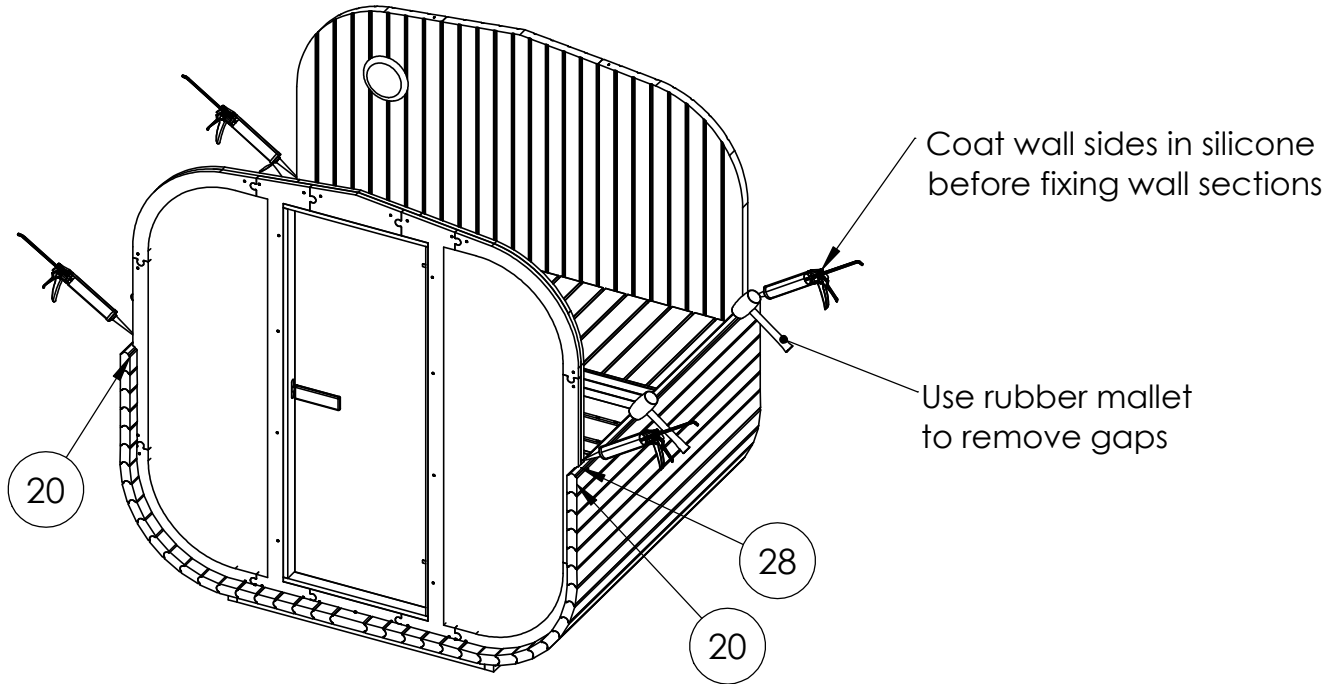
Important: use caution while working with glass. Do not screw or drill the glass, for it will shatter.



Walls

Important: pre-drill every screw

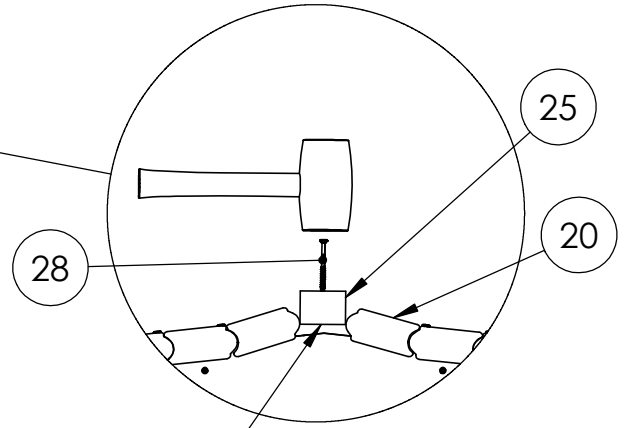
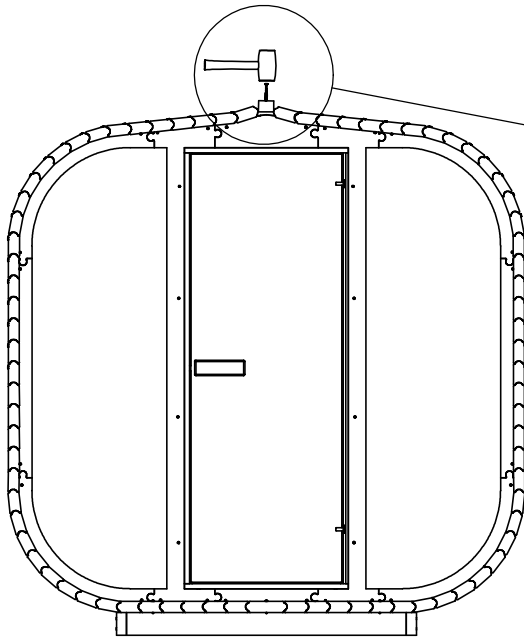
Important: use caution while working with glass. Do not screw or drill the glass, for it will shatter.



Roof Planks

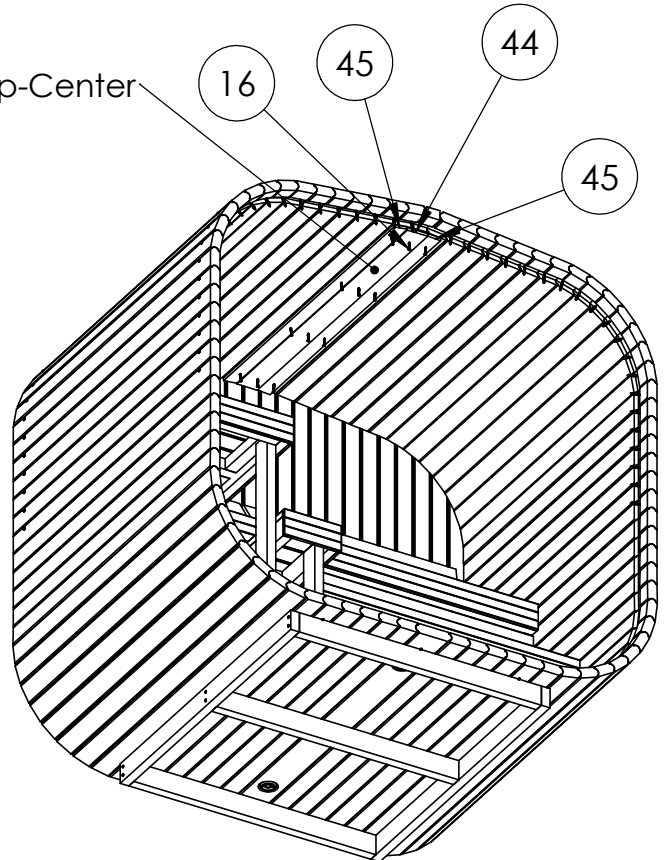
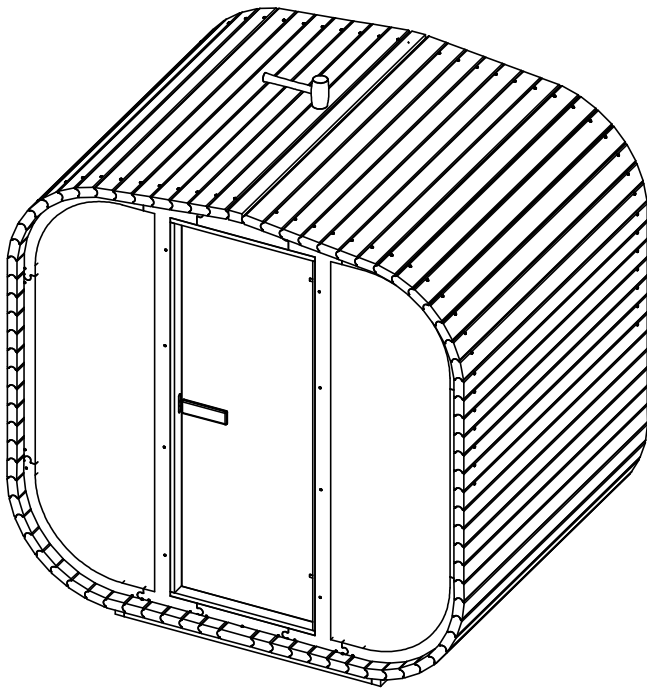
Important: pre-drill every screw

Important: use caution while working with glass. Do not screw or drill the glass, for it will shatter.



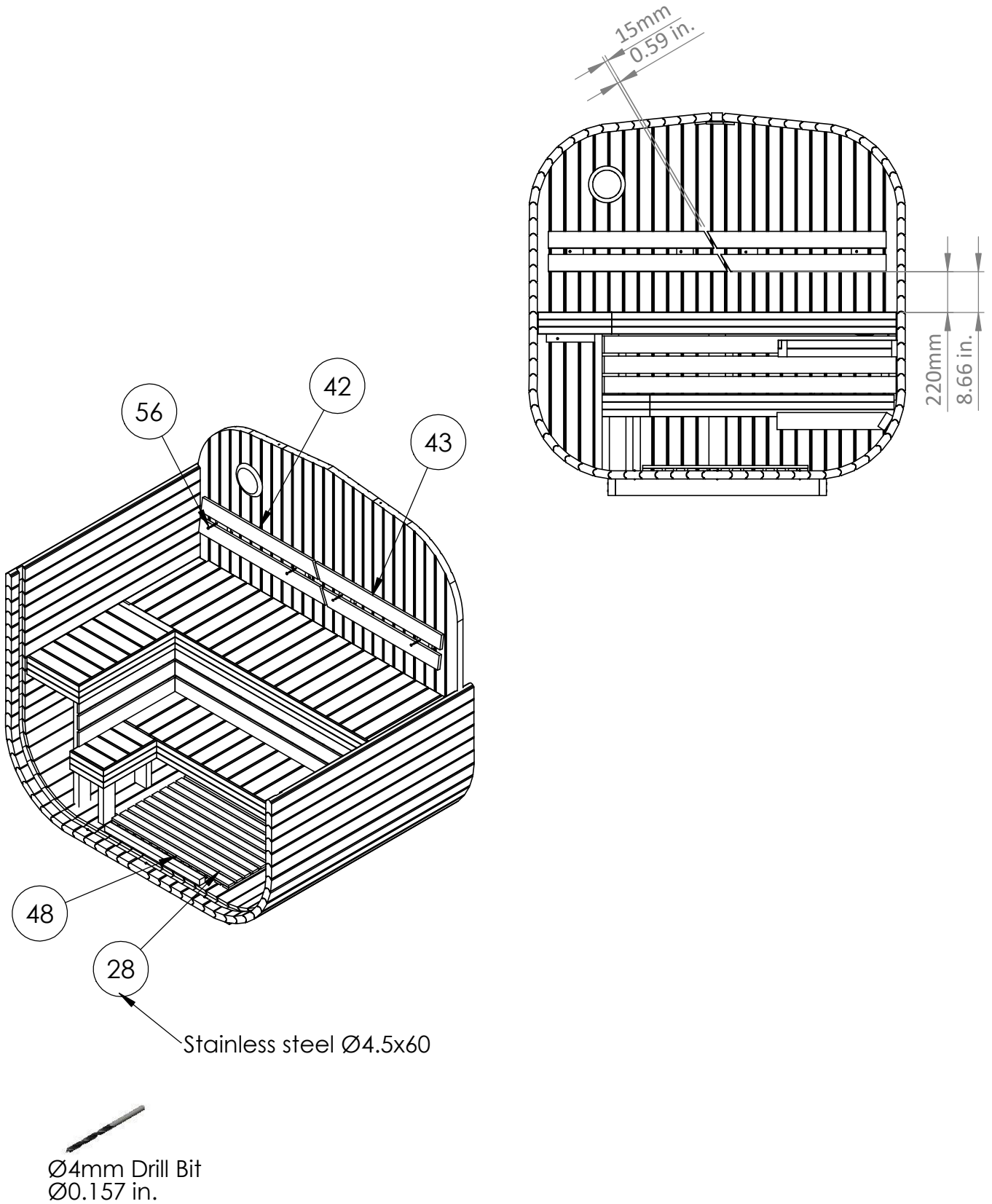
Top gap may vary. Use top insert that results in a tight fit

Place ceiling covers Top-Center



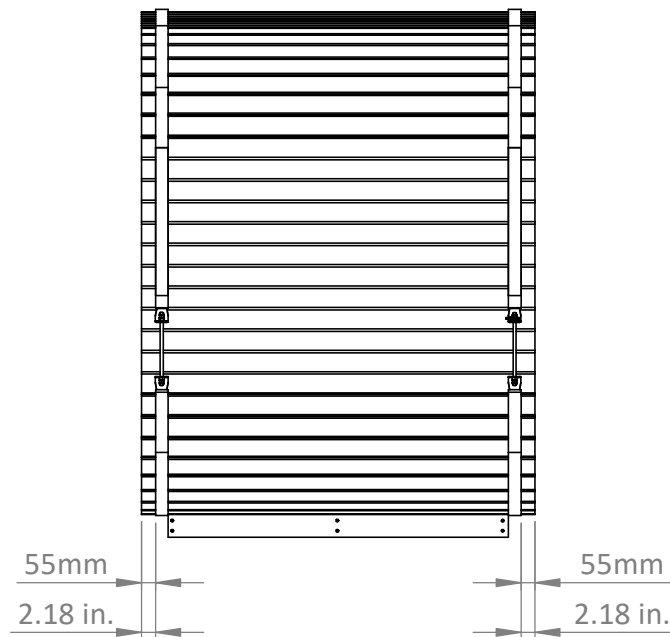
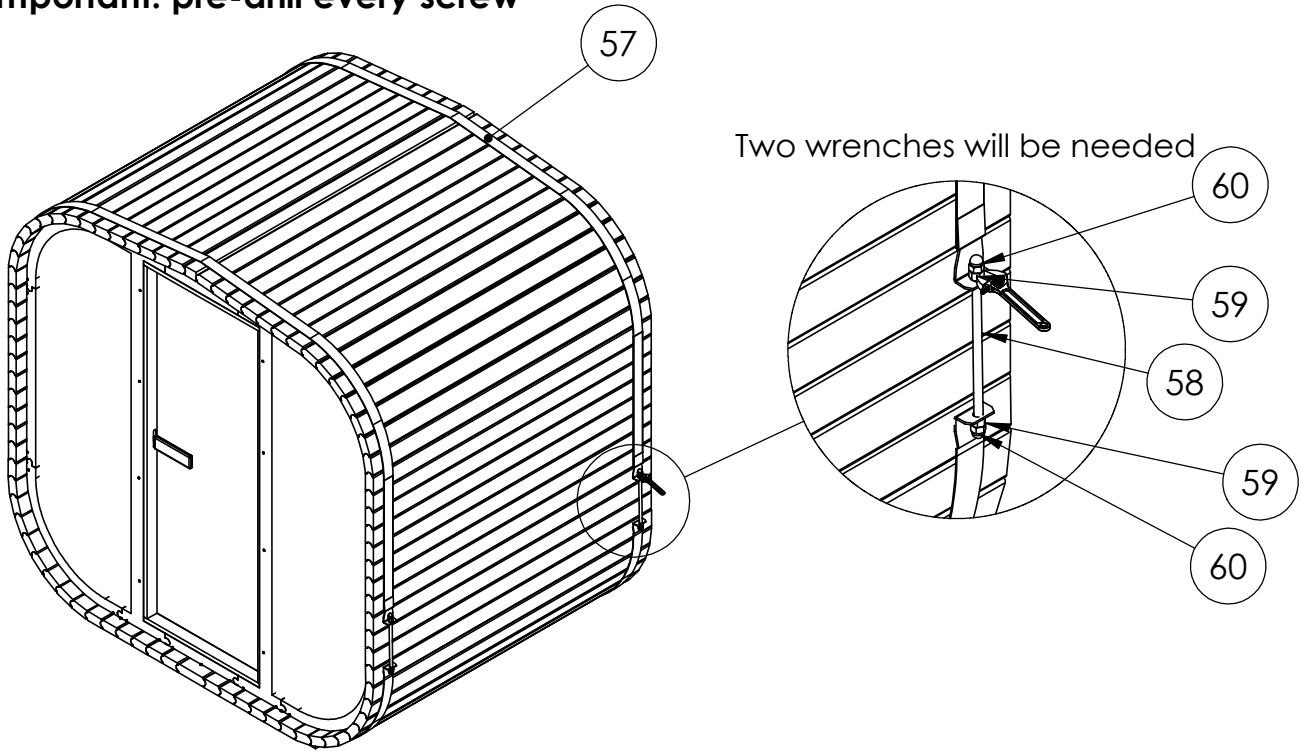
Back Rest

Important: pre-drill every screw



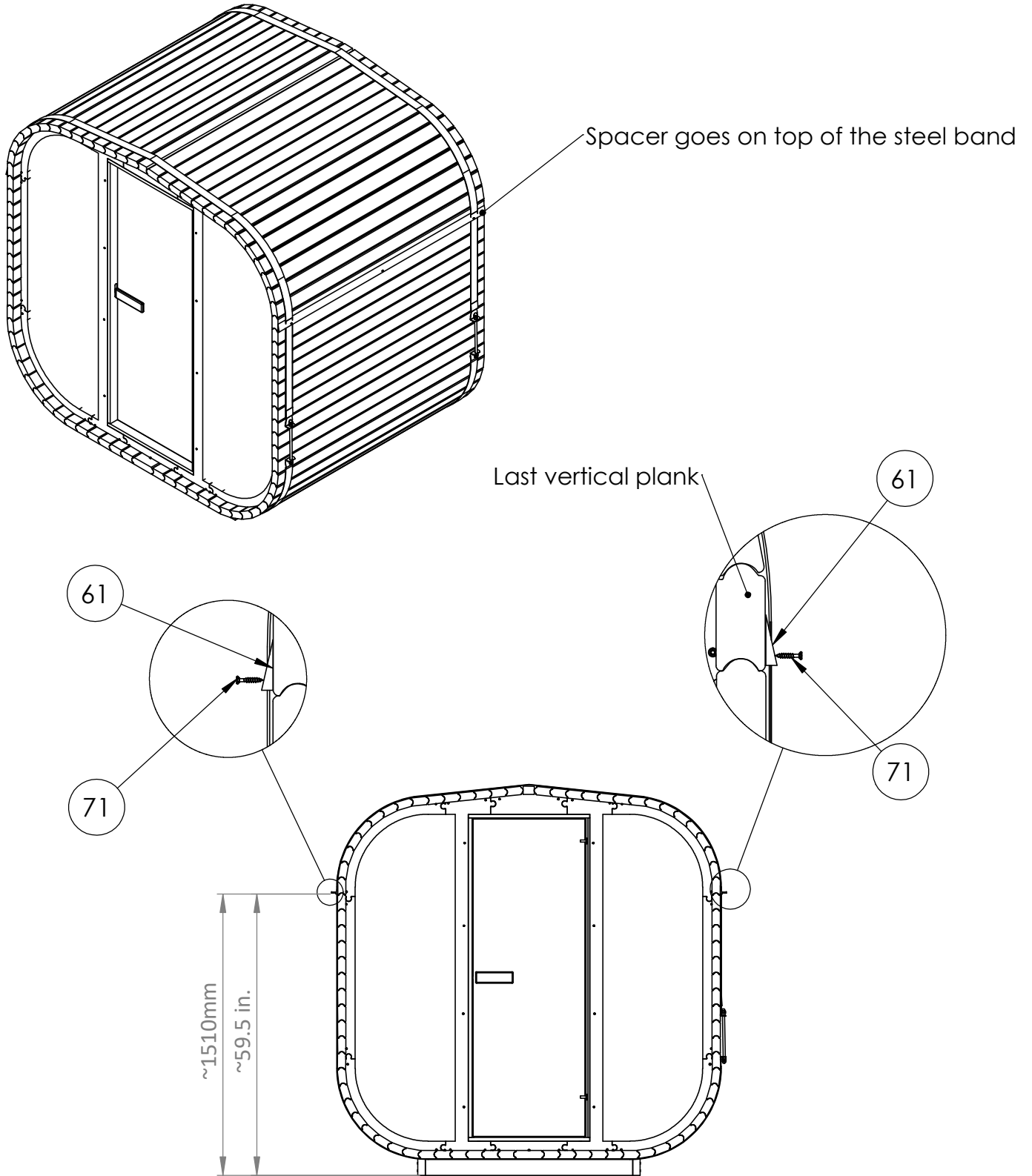
Steel Band

Important: pre-drill every screw

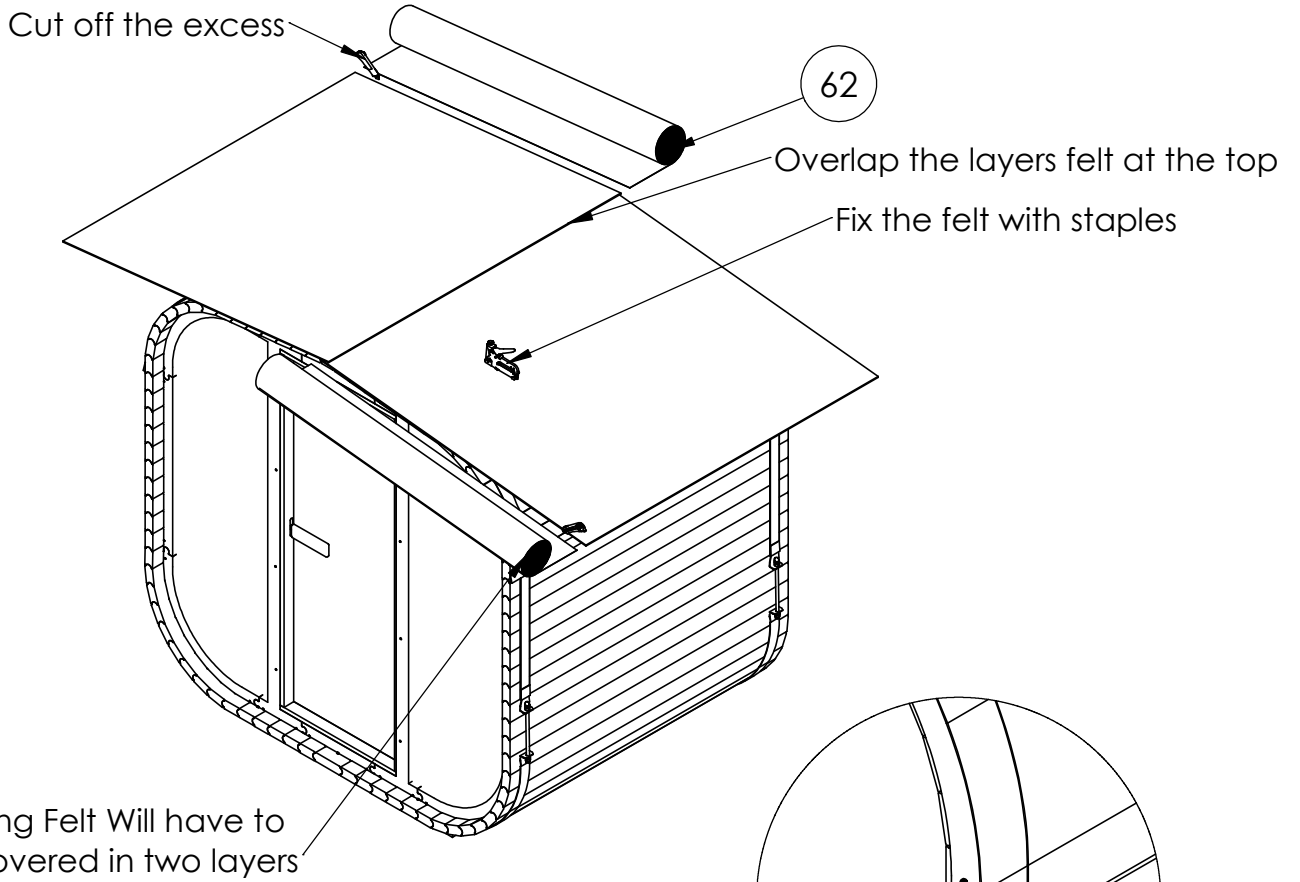


Roof Spacer

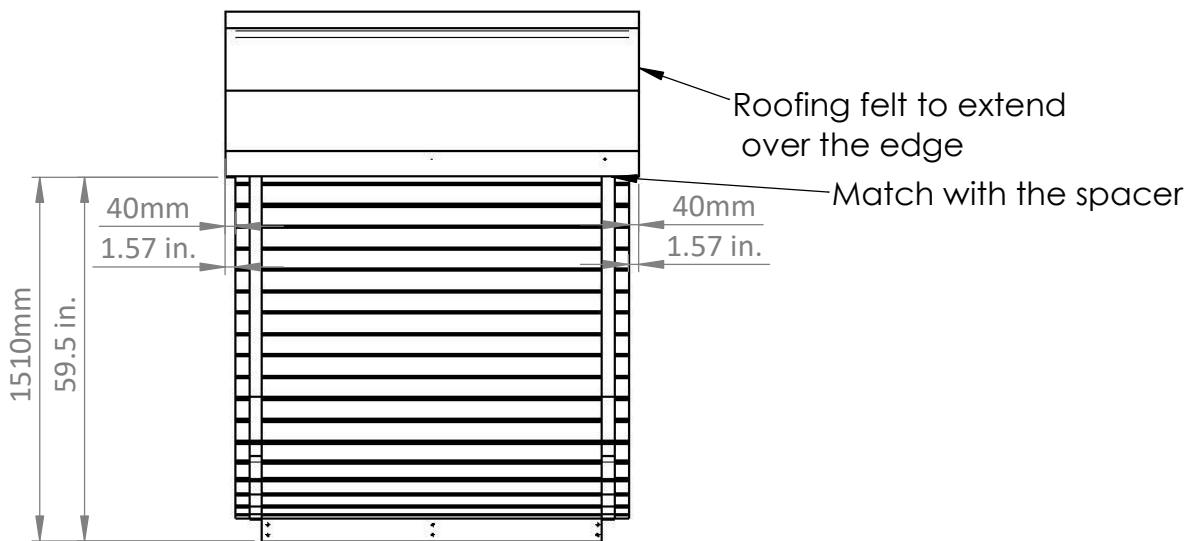
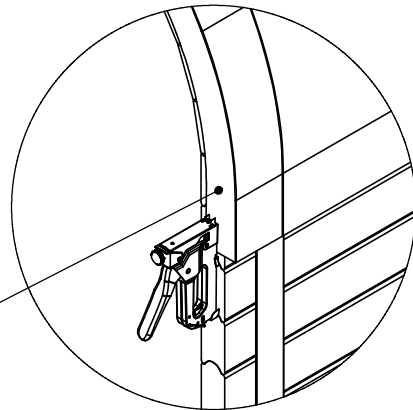
Important: pre-drill every screw



Roof Felt

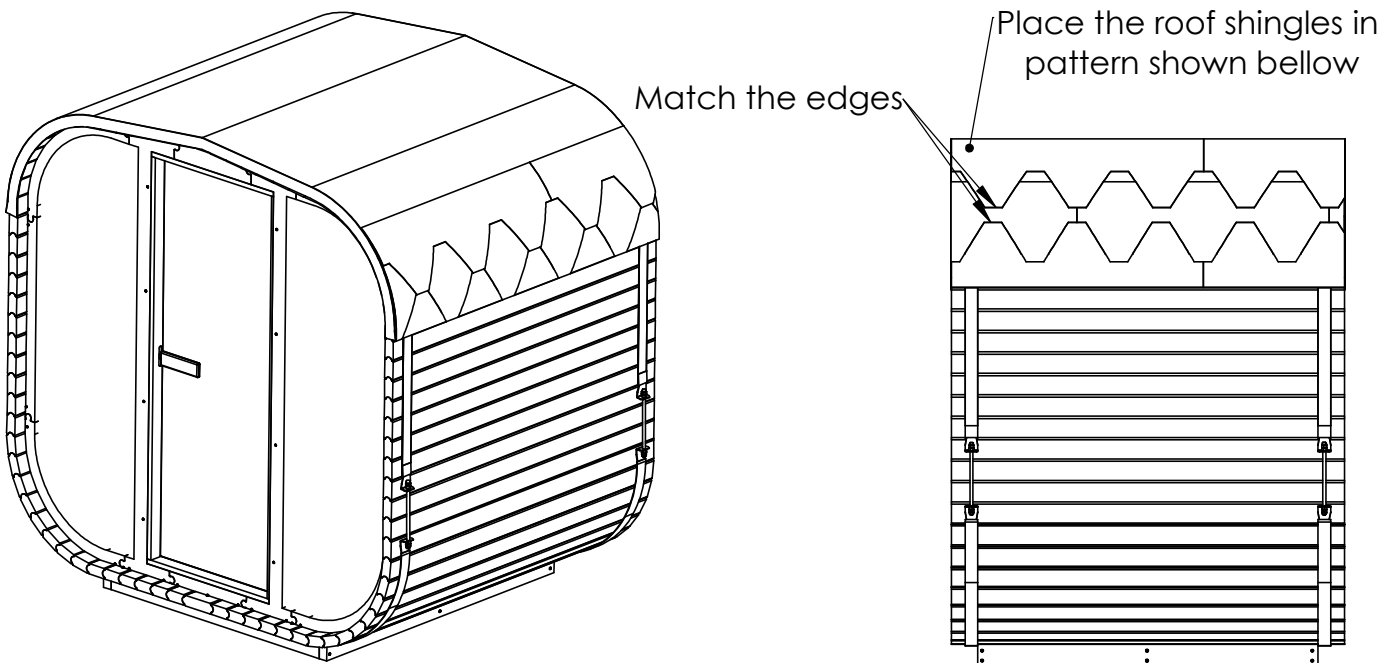
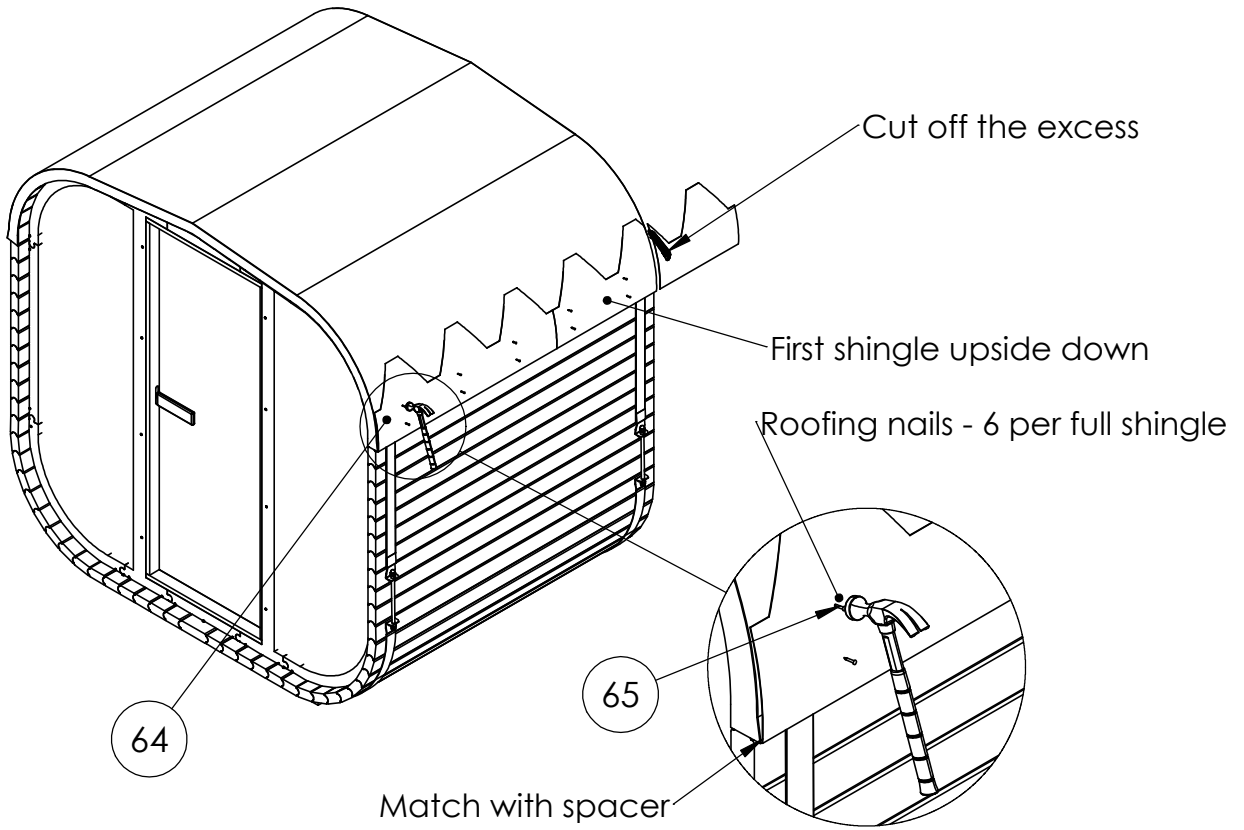


Bend the extension over the edge and fix with a stapler



Shingles

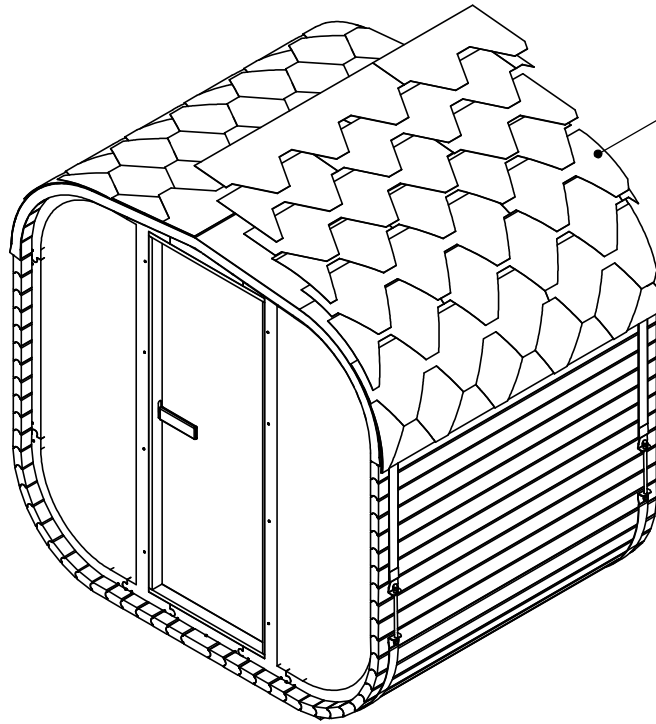
Important: pre-drill every screw



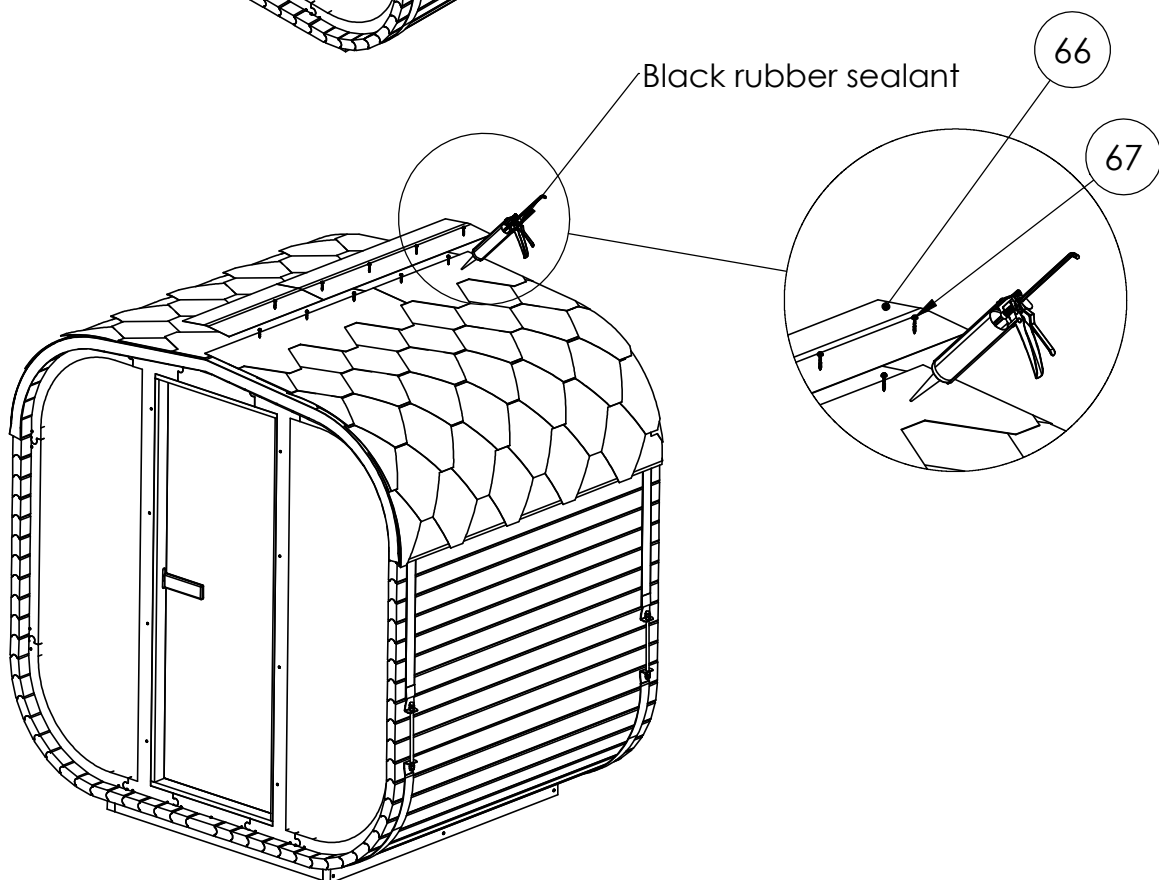


MANDE
SAUNA & HOT TUB

Shingles



Finish nailing shingles to the top from both sides



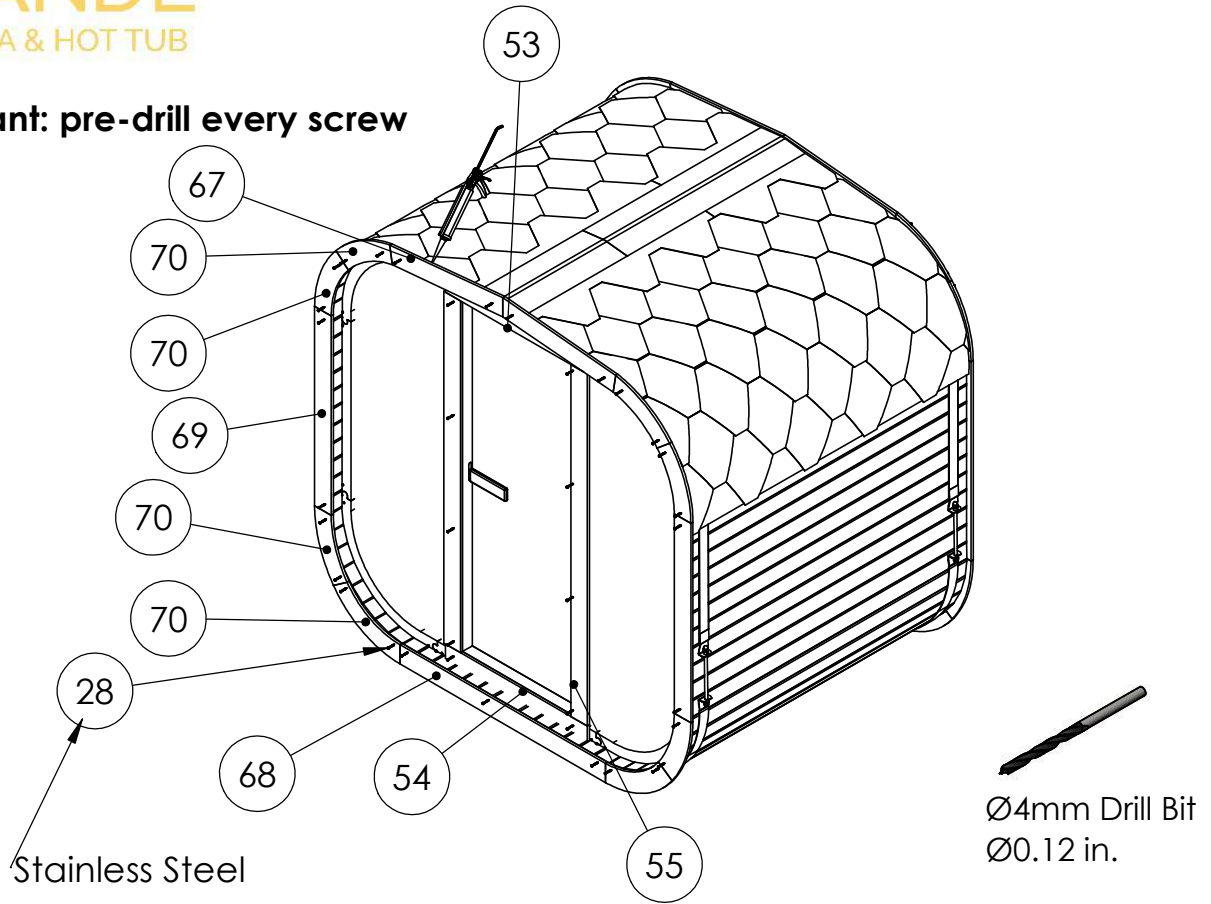
Black rubber sealant

66

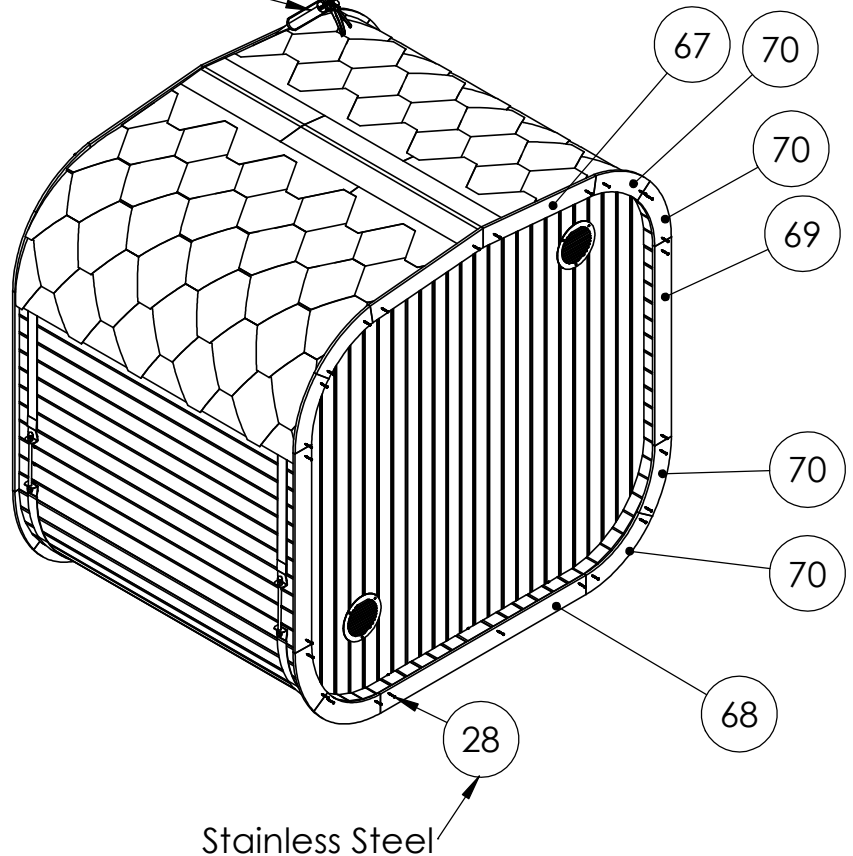
67

Sidings

Important: pre-drill every screw



Coat the gap between the siding and roofing felt with black rubber sealant



It is recommended to contact a licensed electrician to connect power to the furnace and LED of the sauna.